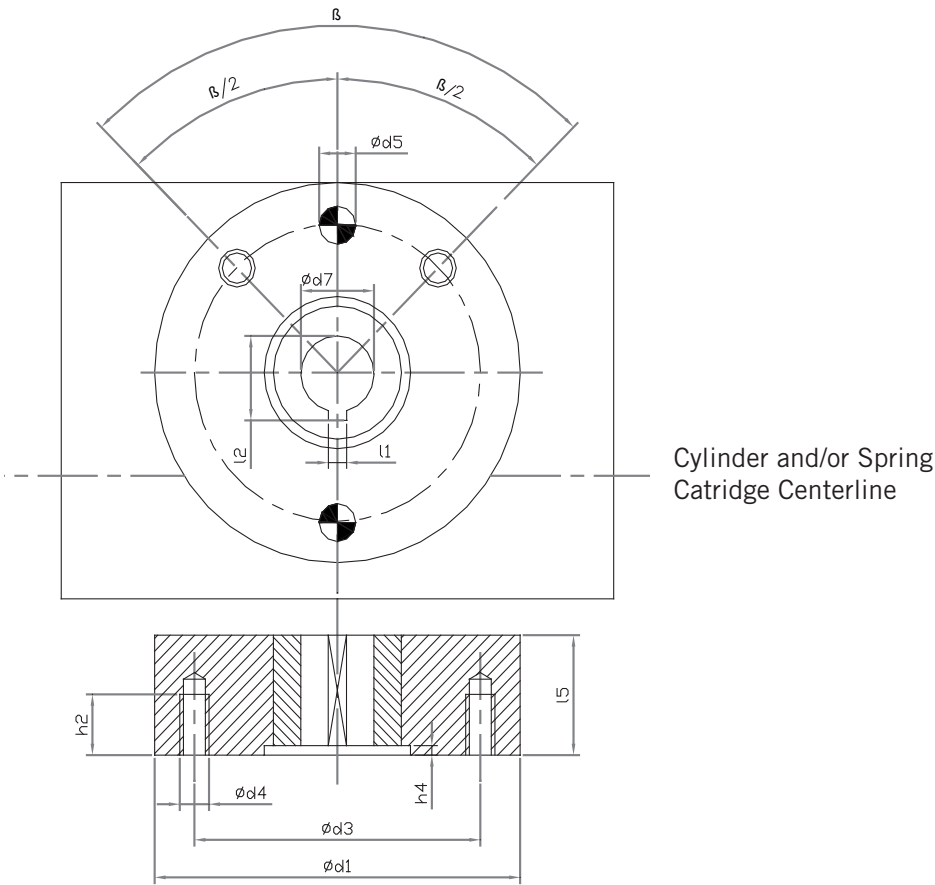


Dimensional Table for Paladon PN-X-XXX Series



| Frame | Flange Type | d1 | d3 | d4 | d5 | d7 | l1 | l2 | h2 | l5 | h4 | $\beta/2$ | No. Holes |
|-------|-------------|-------|-------|-----|--------|--------|--------|--------|--------|---------|--------|-----------|-----------|
| 0.4 | F07 | 3.54 | 2.76 | M8 | 0.2362 | 0.7087 | 0.2362 | 0.8268 | 0.4331 | 3.5433 | 0.1181 | 45° | 4 |
| 1 | F12 | 5.9 | 4.92 | M12 | 0.4724 | 1.4173 | 0.3937 | 1.5551 | 0.6299 | 4.1339 | 0.1181 | 45° | 4 |
| 2 | F14 | 6.89 | 5.51 | M16 | 0.4724 | 1.8898 | 0.5512 | 2.0472 | 0.6299 | 4.1339 | 0.1181 | 45° | 4 |
| 8 | F25 | 11.81 | 10 | M16 | 0.7874 | 2.9528 | 0.8661 | 3.189 | 0.6299 | 5.7087 | 0.1181 | 22.5° | 8 |
| 16 | F30 | 13.78 | 11.73 | M20 | 1.1811 | 2.9528 | 0.8661 | 3.189 | 0.9055 | 6.6929 | 0.3346 | 22.5° | 8 |
| 31 | F35 | 16.34 | 14.02 | M30 | 1.1811 | 4.7244 | 1.2598 | 5.374 | 1.1024 | 8.6614 | 0.5118 | 22.5° | 8 |
| 118 | F48 | 22.05 | 19.02 | M36 | 1.1811 | 6.8898 | 1.4961 | 7.6772 | 1.2992 | 11.811 | 0.5118 | 15° | 24 |
| 250 | F60 | 27 | 23.74 | M36 | 1.378 | 7.874 | 1.7717 | 8.8189 | 1.2992 | 13.3858 | 0.5118 | 9° | 40 |

Tolerances:

d3: ± 0.005 for threaded holes, ± 0.002 for pin holes

d5: H7

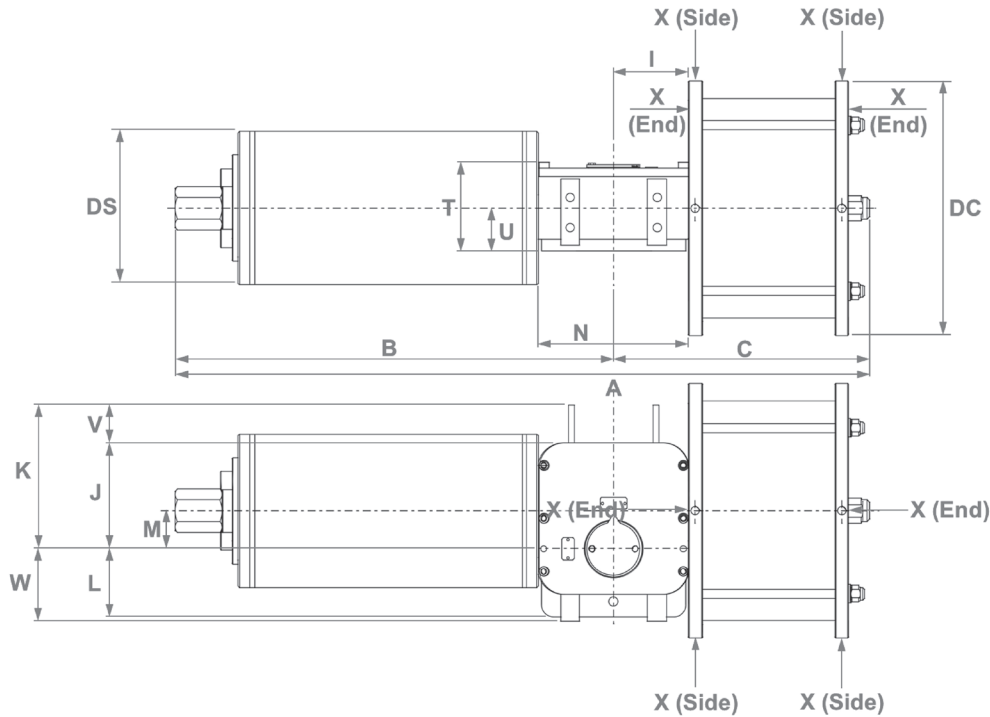
d7: D9 (FRAMES 0.4-8), $+0.004/+0.0118$ (FRAMES 16-250),

l1: D10

l2: $0/+0.0079$ (FRAMES 0.4-8), $0/+0.0197$ (FRAMES 16-250)

PN-DIM-1

Dimensional Table for Paladon PNX-0.4-XXX Series



| Actuator Model | Dimensions in Inches | | | | | | | | | | | | | | | X NPT x 2 | Weight (lbs) | Swept Volume (cu.in.) |
|-------------------|----------------------|------|-----|-----|------|-----|-----|-----|------|-----|-----|-----|-----|-----|-----|-------------------|--------------|-----------------------|
| | A | B | C | DS | DC | I | J | K | L | M | N | T | U | V | W | | | |
| PNX-0.4-78-DA | 13.8 | 4.2 | 9.6 | N/A | 6.1 | 2.3 | 3.5 | 5.4 | 2.1 | 1.0 | 4.7 | 4.0 | 2.0 | 2.0 | 2.2 | 1/4" (side conn.) | 40 | 32 |
| PNX-0.4-122-DA | 13.8 | 4.2 | 9.6 | N/A | 7.1 | 2.3 | 3.5 | 5.4 | 2.1 | 1.0 | 4.7 | 4.0 | 2.0 | 2.0 | 2.2 | 1/4" (side conn.) | 51 | 49 |
| PNX-0.4-201-DA | 13.8 | 4.2 | 9.6 | N/A | 8.4 | 2.3 | 3.5 | 5.4 | 2.1 | 1.0 | 4.7 | 4.0 | 2.0 | 2.0 | 2.2 | 1/4" (side conn.) | 60 | 81 |
| PNX-0.4-314-DA | 13.8 | 4.2 | 9.6 | N/A | 10.0 | 2.3 | 3.5 | 5.4 | 11.0 | 1.0 | 4.7 | 4.0 | 2.0 | 2.0 | 2.2 | 1/4" (side conn.) | 75 | 126 |
| PNX-0.4-78-SRC0A | 20.0 | 10.4 | 9.6 | 4.0 | 6.1 | 2.3 | 3.5 | 5.4 | 2.1 | 1.0 | 4.7 | 4.0 | 2.0 | 2.0 | 2.2 | 1/4" (side conn.) | 49 | 32 |
| PNX-0.4-78-SRC1A | 20.9 | 11.3 | 9.6 | 4.0 | 6.1 | 2.3 | 3.5 | 5.4 | 2.1 | 1.0 | 4.7 | 4.0 | 2.0 | 2.0 | 2.2 | 1/4" (side conn.) | 49 | 32 |
| PNX-0.4-78-SRC2A | 20.6 | 11.0 | 9.6 | 4.0 | 6.1 | 2.3 | 3.5 | 5.4 | 2.1 | 1.0 | 4.7 | 4.0 | 2.0 | 2.0 | 2.2 | 1/4" (side conn.) | 49 | 32 |
| PNX-0.4-78-SRC3A | 21.3 | 11.7 | 9.6 | 4.0 | 6.1 | 2.3 | 3.5 | 5.4 | 2.1 | 1.0 | 4.7 | 4.0 | 2.0 | 2.0 | 2.2 | 1/4" (side conn.) | 49 | 32 |
| PNX-0.4-78-SRC4A | 20.9 | 11.3 | 9.6 | 5.0 | 6.1 | 2.3 | 3.5 | 5.4 | 2.1 | 1.0 | 4.7 | 4.0 | 2.0 | 2.0 | 2.2 | 1/4" (side conn.) | 51 | 32 |
| PNX-0.4-78-SRC5A | 21.3 | 11.7 | 9.6 | 5.0 | 6.1 | 2.3 | 3.5 | 5.4 | 2.1 | 1.0 | 4.7 | 4.0 | 2.0 | 2.0 | 2.2 | 1/4" (side conn.) | 51 | 32 |
| PNX-0.4-78-SRC6A | 22.9 | 13.3 | 9.6 | 5.0 | 6.1 | 2.3 | 3.5 | 5.4 | 2.1 | 1.0 | 4.7 | 4.0 | 2.0 | 2.0 | 2.2 | 1/4" (side conn.) | 53 | 32 |
| PNX-0.4-122-SRC0A | 20.0 | 10.4 | 9.6 | 4.0 | 7.1 | 2.3 | 3.5 | 5.4 | 2.1 | 1.0 | 4.7 | 4.0 | 2.0 | 2.0 | 2.2 | 1/4" (side conn.) | 60 | 49 |
| PNX-0.4-122-SRC1A | 20.9 | 11.3 | 9.6 | 4.0 | 7.1 | 2.3 | 3.5 | 5.4 | 2.1 | 1.0 | 4.7 | 4.0 | 2.0 | 2.0 | 2.2 | 1/4" (side conn.) | 60 | 49 |
| PNX-0.4-122-SRC2A | 20.6 | 11.0 | 9.6 | 4.0 | 7.1 | 2.3 | 3.5 | 5.4 | 2.1 | 1.0 | 4.7 | 4.0 | 2.0 | 2.0 | 2.2 | 1/4" (side conn.) | 60 | 49 |
| PNX-0.4-122-SRC3A | 21.3 | 11.7 | 9.6 | 4.0 | 7.1 | 2.3 | 3.5 | 5.4 | 2.1 | 1.0 | 4.7 | 4.0 | 2.0 | 2.0 | 2.2 | 1/4" (side conn.) | 60 | 49 |
| PNX-0.4-122-SRC4A | 20.9 | 11.3 | 9.6 | 5.0 | 7.1 | 2.3 | 3.5 | 5.4 | 2.1 | 1.0 | 4.7 | 4.0 | 2.0 | 2.0 | 2.2 | 1/4" (side conn.) | 60 | 49 |
| PNX-0.4-122-SRC5A | 21.3 | 11.7 | 9.6 | 5.0 | 7.1 | 2.3 | 3.5 | 5.4 | 2.1 | 1.0 | 4.7 | 4.0 | 2.0 | 2.0 | 2.2 | 1/4" (side conn.) | 60 | 49 |
| PNX-0.4-122-SRC6A | 22.9 | 13.3 | 9.6 | 5.0 | 7.1 | 2.3 | 3.5 | 5.4 | 2.1 | 1.0 | 4.7 | 4.0 | 2.0 | 2.0 | 2.2 | 1/4" (side conn.) | 62 | 49 |

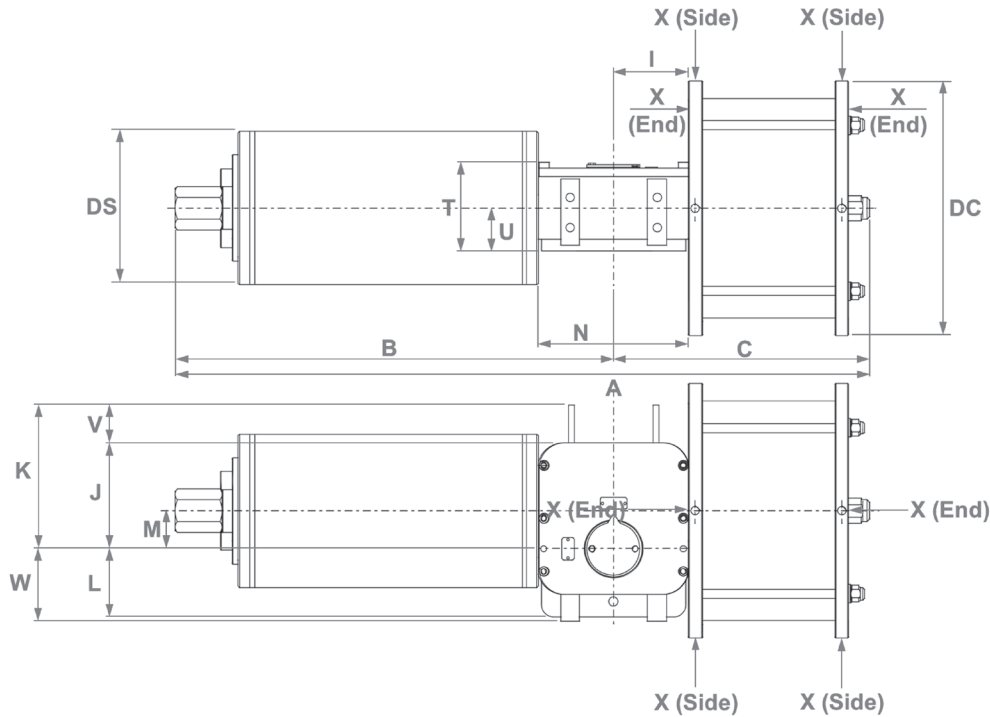
Dimensional Table for Paladon PNX-0.4-XXX Series (Continued)

| Actuator Model | Dimensions in Inches | | | | | | | | | | | | | | | X NPT x 2 | Weight (lbs) | Swept Volume (cu.in.) |
|-------------------|----------------------|------|-----|-----|------|-----|-----|-----|-----|-----|-----|-----|-----|-----|-----|-------------------|--------------|-----------------------|
| | A | B | C | DS | DC | I | J | K | L | M | N | T | U | V | W | | | |
| PNX-0.4-201-SRC0A | 20.0 | 10.4 | 9.6 | 4.0 | 8.4 | 2.3 | 3.5 | 5.4 | 2.1 | 1.0 | 4.7 | 4.0 | 2.0 | 2.0 | 2.2 | 1/4" (side conn.) | 68 | 81 |
| PNX-0.4-201-SRC1A | 20.9 | 11.3 | 9.6 | 4.0 | 8.4 | 2.3 | 3.5 | 5.4 | 2.1 | 1.0 | 4.7 | 4.0 | 2.0 | 2.0 | 2.2 | 1/4" (side conn.) | 68 | 81 |
| PNX-0.4-201-SRC2A | 20.6 | 11.0 | 9.6 | 4.0 | 8.4 | 2.3 | 3.5 | 5.4 | 2.1 | 1.0 | 4.7 | 4.0 | 2.0 | 2.0 | 2.2 | 1/4" (side conn.) | 68 | 81 |
| PNX-0.4-201-SRC3A | 21.3 | 11.7 | 9.6 | 4.0 | 8.4 | 2.3 | 3.5 | 5.4 | 2.1 | 1.0 | 4.7 | 4.0 | 2.0 | 2.0 | 2.2 | 1/4" (side conn.) | 68 | 81 |
| PNX-0.4-201-SRC4A | 20.9 | 11.3 | 9.6 | 5.0 | 8.4 | 2.3 | 3.5 | 5.4 | 2.1 | 1.0 | 4.7 | 4.0 | 2.0 | 2.0 | 2.2 | 1/4" (side conn.) | 71 | 81 |
| PNX-0.4-201-SRC5A | 21.3 | 11.7 | 9.6 | 5.0 | 8.4 | 2.3 | 3.5 | 5.4 | 2.1 | 1.0 | 4.7 | 4.0 | 2.0 | 2.0 | 2.2 | 1/4" (side conn.) | 71 | 81 |
| PNX-0.4-201-SRC6A | 22.9 | 13.3 | 9.6 | 5.0 | 8.4 | 2.3 | 3.5 | 5.4 | 2.1 | 1.0 | 4.7 | 4.0 | 2.0 | 2.0 | 2.2 | 1/4" (side conn.) | 73 | 81 |
| PNX-0.4-314-SRC0A | 20.0 | 10.4 | 9.6 | 4.0 | 10.0 | 2.3 | 3.5 | 5.4 | 2.1 | 1.0 | 4.7 | 4.0 | 2.0 | 2.0 | 2.2 | 1/4" (side conn.) | 82 | 126 |
| PNX-0.4-314-SRC1A | 20.9 | 11.3 | 9.6 | 4.0 | 10.0 | 2.3 | 3.5 | 5.4 | 2.1 | 1.0 | 4.7 | 4.0 | 2.0 | 2.0 | 2.2 | 1/4" (side conn.) | 82 | 126 |
| PNX-0.4-314-SRC2A | 20.6 | 11.0 | 9.6 | 4.0 | 10.0 | 2.3 | 3.5 | 5.4 | 2.1 | 1.0 | 4.7 | 4.0 | 2.0 | 2.0 | 2.2 | 1/4" (side conn.) | 82 | 126 |
| PNX-0.4-314-SRC3A | 21.3 | 11.7 | 9.6 | 4.0 | 10.0 | 2.3 | 3.5 | 5.4 | 2.1 | 1.0 | 4.7 | 4.0 | 2.0 | 2.0 | 2.2 | 1/4" (side conn.) | 82 | 126 |
| PNX-0.4-314-SRC4A | 20.9 | 11.3 | 9.6 | 5.0 | 10.0 | 2.3 | 3.5 | 5.4 | 2.1 | 1.0 | 4.7 | 4.0 | 2.0 | 2.0 | 2.2 | 1/4" (side conn.) | 84 | 126 |
| PNX-0.4-314-SRC5A | 21.3 | 11.7 | 9.6 | 5.0 | 10.0 | 2.3 | 3.5 | 5.4 | 2.1 | 1.0 | 4.7 | 4.0 | 2.0 | 2.0 | 2.2 | 1/4" (side conn.) | 84 | 126 |
| PNX-0.4-314-SRC6A | 22.9 | 13.3 | 9.6 | 5.0 | 10.0 | 2.3 | 3.5 | 5.4 | 2.1 | 1.0 | 4.7 | 4.0 | 2.0 | 2.0 | 2.2 | 1/4" (side conn.) | 86 | 126 |

Note: Not Certified dimensional data. AutoCAD drawings available on request.
PNX, where X is yoke option, (S)=Symmetrical, (D)=Demi-Canted, (C)=Canted

PN-DIM-1

Dimensional Table for Paladon PNX-1-XXX Series



| Actuator Model | Dimensions in Inches | | | | | | | | | | | | | | | X NPT x 2 | Weight (lbs) | Swept Volume (cu.in.) |
|-----------------|----------------------|------|------|-----|------|-----|-----|-----|------|-----|-----|-----|-----|-----|-----|-------------------|--------------|-----------------------|
| | A | B | C | DS | DC | I | J | K | L | M | N | T | U | V | W | | | |
| PNX-1-78-DA | 17.6 | 5.4 | 12.2 | N/A | 6.1 | 3.5 | 5.1 | 7.1 | 3.0 | 1.6 | 7.0 | 4.7 | 2.3 | 2.0 | 3.2 | 1/4" (side conn.) | 64 | 51 |
| PNX-1-122-DA | 17.6 | 5.4 | 12.2 | N/A | 7.1 | 3.5 | 5.1 | 7.1 | 3.0 | 1.6 | 7.0 | 4.7 | 2.3 | 2.0 | 3.2 | 1/4" (side conn.) | 75 | 79 |
| PNX-1-201-DA | 17.6 | 5.4 | 12.2 | N/A | 8.4 | 3.5 | 5.1 | 7.1 | 3.0 | 1.6 | 7.0 | 4.7 | 2.3 | 2.0 | 3.2 | 1/4" (side conn.) | 88 | 129 |
| PNX-1-314-DA | 17.6 | 5.4 | 12.2 | N/A | 10.0 | 3.5 | 5.1 | 7.1 | 11.0 | 1.6 | 7.0 | 4.7 | 2.3 | 2.0 | 3.2 | 1/4" (side conn.) | 104 | 203 |
| PNX-1-78-SRC1B | 26.3 | 14.1 | 12.2 | 4.0 | 6.1 | 3.5 | 5.1 | 7.1 | 3.0 | 1.6 | 7.0 | 4.7 | 2.3 | 2.0 | 3.2 | 1/4" (side conn.) | 75 | 51 |
| PNX-1-78-SRC2B | 26.0 | 13.8 | 12.2 | 4.0 | 6.1 | 3.5 | 5.1 | 7.1 | 3.0 | 1.6 | 7.0 | 4.7 | 2.3 | 2.0 | 3.2 | 1/4" (side conn.) | 75 | 51 |
| PNX-1-78-SRC3B | 26.5 | 14.3 | 12.2 | 4.0 | 6.1 | 3.5 | 5.1 | 7.1 | 3.0 | 1.6 | 7.0 | 4.7 | 2.3 | 2.0 | 3.2 | 1/4" (side conn.) | 75 | 51 |
| PNX-1-78-SRC4B | 26.3 | 14.1 | 12.2 | 5.0 | 6.1 | 3.5 | 5.1 | 7.1 | 3.0 | 1.6 | 7.0 | 4.7 | 2.3 | 2.0 | 3.2 | 1/4" (side conn.) | 77 | 51 |
| PNX-1-78-SRC5B | 34.7 | 22.5 | 12.2 | 6.3 | 6.1 | 3.5 | 5.1 | 7.1 | 3.0 | 1.6 | 7.0 | 4.7 | 2.3 | 2.0 | 3.2 | 1/4" (side conn.) | 95 | 51 |
| PNX-1-78-SRC6B | 26.5 | 14.3 | 12.2 | 5.0 | 6.1 | 3.5 | 5.1 | 7.1 | 3.0 | 1.6 | 7.0 | 4.7 | 2.3 | 2.0 | 3.2 | 1/4" (side conn.) | 77 | 51 |
| PNX-1-78-SRC7B | 29.5 | 17.3 | 12.2 | 5.0 | 6.1 | 3.5 | 5.1 | 7.1 | 3.0 | 1.6 | 7.0 | 4.7 | 2.3 | 2.0 | 3.2 | 1/4" (side conn.) | 82 | 51 |
| PNX-1-78-SRC8B | 29.0 | 16.8 | 12.2 | 5.0 | 6.1 | 3.5 | 5.1 | 7.1 | 3.0 | 1.6 | 7.0 | 4.7 | 2.3 | 2.0 | 3.2 | 1/4" (side conn.) | 82 | 51 |
| PNX-1-78-SRC9B | 28.5 | 16.3 | 12.2 | 5.0 | 6.1 | 3.5 | 5.1 | 7.1 | 3.0 | 1.6 | 7.0 | 4.7 | 2.3 | 2.0 | 3.2 | 1/4" (side conn.) | 82 | 51 |
| PNX-1-78-SRC10B | 31.9 | 19.7 | 12.2 | 8.6 | 6.1 | 3.5 | 5.1 | 7.1 | 3.0 | 1.6 | 7.0 | 4.7 | 2.3 | 2.0 | 3.2 | 1/4" (side conn.) | 110 | 51 |
| PNX-1-78-SRC11B | 30.7 | 18.5 | 12.2 | 5.0 | 6.1 | 3.5 | 5.1 | 7.1 | 3.0 | 1.6 | 7.0 | 4.7 | 2.3 | 2.0 | 3.2 | 1/4" (side conn.) | 84 | 51 |
| PNX-1-122-SRC1B | 26.3 | 14.1 | 12.2 | 4.0 | 7.1 | 3.5 | 5.1 | 7.1 | 3.0 | 1.6 | 7.0 | 4.7 | 2.3 | 2.0 | 3.2 | 1/4" (side conn.) | 84 | 79 |
| PNX-1-122-SRC2B | 26.0 | 13.8 | 12.2 | 4.0 | 7.1 | 3.5 | 5.1 | 7.1 | 3.0 | 1.6 | 7.0 | 4.7 | 2.3 | 2.0 | 3.2 | 1/4" (side conn.) | 84 | 79 |
| PNX-1-122-SRC3B | 26.5 | 14.3 | 12.2 | 4.0 | 7.1 | 3.5 | 5.1 | 7.1 | 3.0 | 1.6 | 7.0 | 4.7 | 2.3 | 2.0 | 3.2 | 1/4" (side conn.) | 84 | 79 |

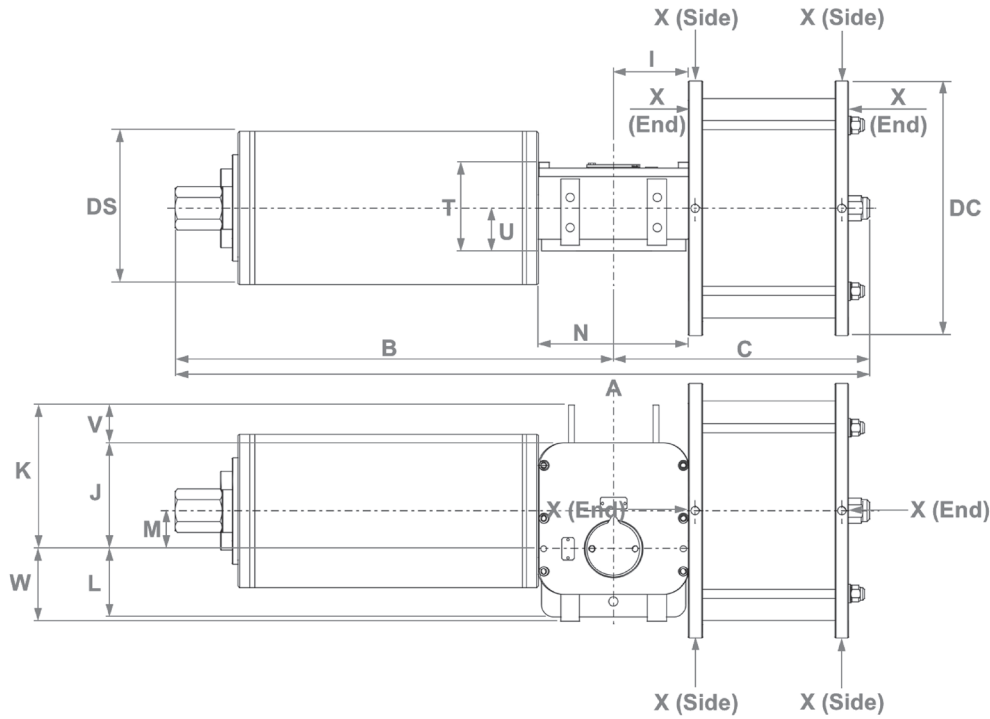
Dimensional Table for Paladon PNX-1-XXX Series (Continued)

| Actuator Model | Dimensions in Inches | | | | | | | | | | | | | | | X NPT x 2 | Weight (lbs) | Swept Volume (cu.in.) |
|------------------|----------------------|------|------|-----|------|-----|-----|-----|-----|-----|-----|-----|-----|-----|-----|-------------------|--------------|-----------------------|
| | A | B | C | DS | DC | I | J | K | L | M | N | T | U | V | W | | | |
| PNX-1-122-SRC4B | 26.3 | 14.1 | 12.2 | 5.0 | 7.1 | 3.5 | 5.1 | 7.1 | 3.0 | 1.6 | 7.0 | 4.7 | 2.3 | 2.0 | 3.2 | 1/4" (side conn.) | 86 | 79 |
| PNX-1-122-SRC5B | 34.7 | 22.5 | 12.2 | 6.3 | 7.1 | 3.5 | 5.1 | 7.1 | 3.0 | 1.6 | 7.0 | 4.7 | 2.3 | 2.0 | 3.2 | 1/4" (side conn.) | 104 | 79 |
| PNX-1-122-SRC6B | 26.5 | 14.3 | 12.2 | 5.0 | 7.1 | 3.5 | 5.1 | 7.1 | 3.0 | 1.6 | 7.0 | 4.7 | 2.3 | 2.0 | 3.2 | 1/4" (side conn.) | 88 | 79 |
| PNX-1-122-SRC7B | 29.5 | 17.3 | 12.2 | 5.0 | 7.1 | 3.5 | 5.1 | 7.1 | 3.0 | 1.6 | 7.0 | 4.7 | 2.3 | 2.0 | 3.2 | 1/4" (side conn.) | 93 | 79 |
| PNX-1-122-SRC8B | 29.0 | 16.8 | 12.2 | 5.0 | 7.1 | 3.5 | 5.1 | 7.1 | 3.0 | 1.6 | 7.0 | 4.7 | 2.3 | 2.0 | 3.2 | 1/4" (side conn.) | 93 | 79 |
| PNX-1-122-SRC9B | 28.5 | 16.3 | 12.2 | 5.0 | 7.1 | 3.5 | 5.1 | 7.1 | 3.0 | 1.6 | 7.0 | 4.7 | 2.3 | 2.0 | 3.2 | 1/4" (side conn.) | 93 | 79 |
| PNX-1-122-SRC10B | 31.9 | 19.7 | 12.2 | 8.6 | 7.1 | 3.5 | 5.1 | 7.1 | 3.0 | 1.6 | 7.0 | 4.7 | 2.3 | 2.0 | 3.2 | 1/4" (side conn.) | 119 | 79 |
| PNX-1-122-SRC11B | 30.7 | 18.5 | 12.2 | 5.0 | 7.1 | 3.5 | 5.1 | 7.1 | 3.0 | 1.6 | 7.0 | 4.7 | 2.3 | 2.0 | 3.2 | 1/4" (side conn.) | 95 | 79 |
| PNX-1-201-SRC1B | 26.3 | 14.1 | 12.2 | 4.0 | 8.4 | 3.5 | 5.1 | 7.1 | 3.0 | 1.6 | 7.0 | 4.7 | 2.3 | 2.0 | 3.2 | 1/4" (side conn.) | 97 | 129 |
| PNX-1-201-SRC2B | 26.0 | 13.8 | 12.2 | 4.0 | 8.4 | 3.5 | 5.1 | 7.1 | 3.0 | 1.6 | 7.0 | 4.7 | 2.3 | 2.0 | 3.2 | 1/4" (side conn.) | 97 | 129 |
| PNX-1-201-SRC3B | 26.5 | 14.3 | 12.2 | 4.0 | 8.4 | 3.5 | 5.1 | 7.1 | 3.0 | 1.6 | 7.0 | 4.7 | 2.3 | 2.0 | 3.2 | 1/4" (side conn.) | 97 | 129 |
| PNX-1-201-SRC4B | 26.3 | 14.1 | 12.2 | 5.0 | 8.4 | 3.5 | 5.1 | 7.1 | 3.0 | 1.6 | 7.0 | 4.7 | 2.3 | 2.0 | 3.2 | 1/4" (side conn.) | 99 | 129 |
| PNX-1-201-SRC5B | 34.7 | 22.5 | 12.2 | 6.3 | 8.4 | 3.5 | 5.1 | 7.1 | 3.0 | 1.6 | 7.0 | 4.7 | 2.3 | 2.0 | 3.2 | 1/4" (side conn.) | 117 | 129 |
| PNX-1-201-SRC6B | 26.5 | 14.3 | 12.2 | 5.0 | 8.4 | 3.5 | 5.1 | 7.1 | 3.0 | 1.6 | 7.0 | 4.7 | 2.3 | 2.0 | 3.2 | 1/4" (side conn.) | 101 | 129 |
| PNX-1-201-SRC7B | 29.5 | 17.3 | 12.2 | 5.0 | 8.4 | 3.5 | 5.1 | 7.1 | 3.0 | 1.6 | 7.0 | 4.7 | 2.3 | 2.0 | 3.2 | 1/4" (side conn.) | 106 | 129 |
| PNX-1-201-SRC8B | 29.0 | 16.8 | 12.2 | 5.0 | 8.4 | 3.5 | 5.1 | 7.1 | 3.0 | 1.6 | 7.0 | 4.7 | 2.3 | 2.0 | 3.2 | 1/4" (side conn.) | 106 | 129 |
| PNX-1-201-SRC9B | 28.5 | 16.3 | 12.2 | 5.0 | 8.4 | 3.5 | 5.1 | 7.1 | 3.0 | 1.6 | 7.0 | 4.7 | 2.3 | 2.0 | 3.2 | 1/4" (side conn.) | 106 | 129 |
| PNX-1-201-SRC10B | 31.9 | 19.7 | 12.2 | 8.6 | 8.4 | 3.5 | 5.1 | 7.1 | 3.0 | 1.6 | 7.0 | 4.7 | 2.3 | 2.0 | 3.2 | 1/4" (side conn.) | 132 | 129 |
| PNX-1-201-SRC11B | 30.7 | 18.5 | 12.2 | 5.0 | 8.4 | 3.5 | 5.1 | 7.1 | 3.0 | 1.6 | 7.0 | 4.7 | 2.3 | 2.0 | 3.2 | 1/4" (side conn.) | 108 | 129 |
| PNX-1-314-SRC1B | 26.3 | 14.1 | 12.2 | 4.0 | 10.0 | 3.5 | 5.1 | 7.1 | 3.0 | 1.6 | 7.0 | 4.7 | 2.3 | 2.0 | 3.2 | 1/4" (side conn.) | 112 | 203 |
| PNX-1-314-SRC2B | 26.0 | 13.8 | 12.2 | 4.0 | 10.0 | 3.5 | 5.1 | 7.1 | 3.0 | 1.6 | 7.0 | 4.7 | 2.3 | 2.0 | 3.2 | 1/4" (side conn.) | 112 | 203 |
| PNX-1-314-SRC3B | 26.5 | 14.3 | 12.2 | 4.0 | 10.0 | 3.5 | 5.1 | 7.1 | 3.0 | 1.6 | 7.0 | 4.7 | 2.3 | 2.0 | 3.2 | 1/4" (side conn.) | 112 | 203 |
| PNX-1-314-SRC4B | 26.3 | 14.1 | 12.2 | 5.0 | 10.0 | 3.5 | 5.1 | 7.1 | 3.0 | 1.6 | 7.0 | 4.7 | 2.3 | 2.0 | 3.2 | 1/4" (side conn.) | 115 | 203 |
| PNX-1-314-SRC5B | 34.7 | 22.5 | 12.2 | 6.3 | 10.0 | 3.5 | 5.1 | 7.1 | 3.0 | 1.6 | 7.0 | 4.7 | 2.3 | 2.0 | 3.2 | 1/4" (side conn.) | 132 | 203 |
| PNX-1-314-SRC6B | 26.5 | 14.3 | 12.2 | 5.0 | 10.0 | 3.5 | 5.1 | 7.1 | 3.0 | 1.6 | 7.0 | 4.7 | 2.3 | 2.0 | 3.2 | 1/4" (side conn.) | 117 | 203 |
| PNX-1-314-SRC7B | 29.5 | 17.3 | 12.2 | 5.0 | 10.0 | 3.5 | 5.1 | 7.1 | 3.0 | 1.6 | 7.0 | 4.7 | 2.3 | 2.0 | 3.2 | 1/4" (side conn.) | 121 | 203 |
| PNX-1-314-SRC8B | 29.0 | 16.8 | 12.2 | 5.0 | 10.0 | 3.5 | 5.1 | 7.1 | 3.0 | 1.6 | 7.0 | 4.7 | 2.3 | 2.0 | 3.2 | 1/4" (side conn.) | 121 | 203 |
| PNX-1-314-SRC9B | 28.5 | 16.3 | 12.2 | 5.0 | 10.0 | 3.5 | 5.1 | 7.1 | 3.0 | 1.6 | 7.0 | 4.7 | 2.3 | 2.0 | 3.2 | 1/4" (side conn.) | 121 | 203 |
| PNX-1-314-SRC10B | 31.9 | 19.7 | 12.2 | 8.6 | 10.0 | 3.5 | 5.1 | 7.1 | 3.0 | 1.6 | 7.0 | 4.7 | 2.3 | 2.0 | 3.2 | 1/4" (side conn.) | 148 | 203 |
| PNX-1-314-SRC11B | 30.7 | 18.5 | 12.2 | 5.0 | 10.0 | 3.5 | 5.1 | 7.1 | 3.0 | 1.6 | 7.0 | 4.7 | 2.3 | 2.0 | 3.2 | 1/4" (side conn.) | 123 | 203 |

Note: Not Certified dimensional data. AutoCAD drawings available on request.
PNX, where X is yoke option, (S)=Symmetrical, (D)=Demi-Canted, (C)=Canted

PN-DIM-1

Dimensional Table for Paladon PNX-2-XXX Series



| Actuator Model | Dimensions in Inches | | | | | | | | | | | | | | | X NPT x 2 | Weight (lbs) | Swept Volume (cu.in.) |
|------------------|----------------------|------|------|-----|------|-----|-----|-----|------|-----|-----|-----|-----|-----|-----|-------------------|--------------|-----------------------|
| | A | B | C | DS | DC | I | J | K | L | M | N | T | U | V | W | | | |
| PNX-2-201-DA | 19.4 | 5.8 | 13.6 | N/A | 8.4 | 3.9 | 5.5 | 7.5 | 3.6 | 2.0 | 7.8 | 4.7 | 2.3 | 2.0 | 3.8 | 1/4" (side conn.) | 99 | 162 |
| PNX-2-314-DA | 19.4 | 5.8 | 13.6 | N/A | 10.0 | 3.9 | 5.5 | 7.5 | 3.6 | 2.0 | 7.8 | 4.7 | 2.3 | 2.0 | 3.8 | 1/4" (side conn.) | 119 | 253 |
| PNX-2-433-DA | 19.4 | 5.8 | 13.6 | N/A | 11.8 | 3.9 | 5.5 | 7.5 | 3.6 | 2.0 | 7.8 | 4.7 | 2.3 | 2.0 | 3.8 | 1/4" (side conn.) | 146 | 350 |
| PNX-2-615-DA | 19.4 | 5.8 | 13.6 | N/A | 13.6 | 3.9 | 5.5 | 7.5 | 11.0 | 2.0 | 7.8 | 4.7 | 2.3 | 2.0 | 3.8 | 1/4" (side conn.) | 174 | 496 |
| PNX-2-201-SRC1E | 29.0 | 15.4 | 13.6 | 4.0 | 8.4 | 3.9 | 5.5 | 7.5 | 3.6 | 2.0 | 7.8 | 4.7 | 2.3 | 2.0 | 3.8 | 1/4" (side conn.) | 108 | 162 |
| PNX-2-201-SRC2E | 28.6 | 15.0 | 13.6 | 4.0 | 8.4 | 3.9 | 5.5 | 7.5 | 3.6 | 2.0 | 7.8 | 4.7 | 2.3 | 2.0 | 3.8 | 1/4" (side conn.) | 108 | 162 |
| PNX-2-201-SRC3E | 29.2 | 15.6 | 13.6 | 4.0 | 8.4 | 3.9 | 5.5 | 7.5 | 3.6 | 2.0 | 7.8 | 4.7 | 2.3 | 2.0 | 3.8 | 1/4" (side conn.) | 108 | 162 |
| PNX-2-201-SRC4E | 28.8 | 15.2 | 13.6 | 5.0 | 8.4 | 3.9 | 5.5 | 7.5 | 3.6 | 2.0 | 7.8 | 4.7 | 2.3 | 2.0 | 3.8 | 1/4" (side conn.) | 110 | 162 |
| PNX-2-201-SRC5E | 36.9 | 23.4 | 13.6 | 6.3 | 8.4 | 3.9 | 5.5 | 7.5 | 3.6 | 2.0 | 7.8 | 4.7 | 2.3 | 2.0 | 3.8 | 1/4" (side conn.) | 130 | 162 |
| PNX-2-201-SRC6E | 35.8 | 22.2 | 13.6 | 6.3 | 8.4 | 3.9 | 5.5 | 7.5 | 3.6 | 2.0 | 7.8 | 4.7 | 2.3 | 2.0 | 3.8 | 1/4" (side conn.) | 128 | 162 |
| PNX-2-201-SRC7E | 30.8 | 17.3 | 13.6 | 5.0 | 8.4 | 3.9 | 5.5 | 7.5 | 3.6 | 2.0 | 7.8 | 4.7 | 2.3 | 2.0 | 3.8 | 1/4" (side conn.) | 117 | 162 |
| PNX-2-201-SRC8E | 34.4 | 20.8 | 13.6 | 8.6 | 8.4 | 3.9 | 5.5 | 7.5 | 3.6 | 2.0 | 7.8 | 4.7 | 2.3 | 2.0 | 3.8 | 1/4" (side conn.) | 159 | 162 |
| PNX-2-201-SRC9E | 33.0 | 19.4 | 13.6 | 5.0 | 8.4 | 3.9 | 5.5 | 7.5 | 3.6 | 2.0 | 7.8 | 4.7 | 2.3 | 2.0 | 3.8 | 1/4" (side conn.) | 121 | 162 |
| PNX-2-201-SRC10E | 31.2 | 17.6 | 13.6 | 8.6 | 8.4 | 3.9 | 5.5 | 7.5 | 3.6 | 2.0 | 7.8 | 4.7 | 2.3 | 2.0 | 3.8 | 1/4" (side conn.) | 148 | 162 |
| PNX-2-201-SRC11E | 33.7 | 20.1 | 13.6 | 8.0 | 8.4 | 3.9 | 5.5 | 7.5 | 3.6 | 2.0 | 7.8 | 4.7 | 2.3 | 2.0 | 3.8 | 1/4" (side conn.) | 163 | 162 |
| PNX-2-314-SRC1E | 29.0 | 15.4 | 13.6 | 4.0 | 10.0 | 3.9 | 5.5 | 7.5 | 3.6 | 2.0 | 7.8 | 4.7 | 2.3 | 2.0 | 3.8 | 1/4" (side conn.) | 128 | 253 |
| PNX-2-314-SRC2E | 28.6 | 15.0 | 13.6 | 4.0 | 10.0 | 3.9 | 5.5 | 7.5 | 3.6 | 2.0 | 7.8 | 4.7 | 2.3 | 2.0 | 3.8 | 1/4" (side conn.) | 128 | 253 |
| PNX-2-314-SRC3E | 29.2 | 15.6 | 13.6 | 4.0 | 10.0 | 3.9 | 5.5 | 7.5 | 3.6 | 2.0 | 7.8 | 4.7 | 2.3 | 2.0 | 3.8 | 1/4" (side conn.) | 128 | 253 |

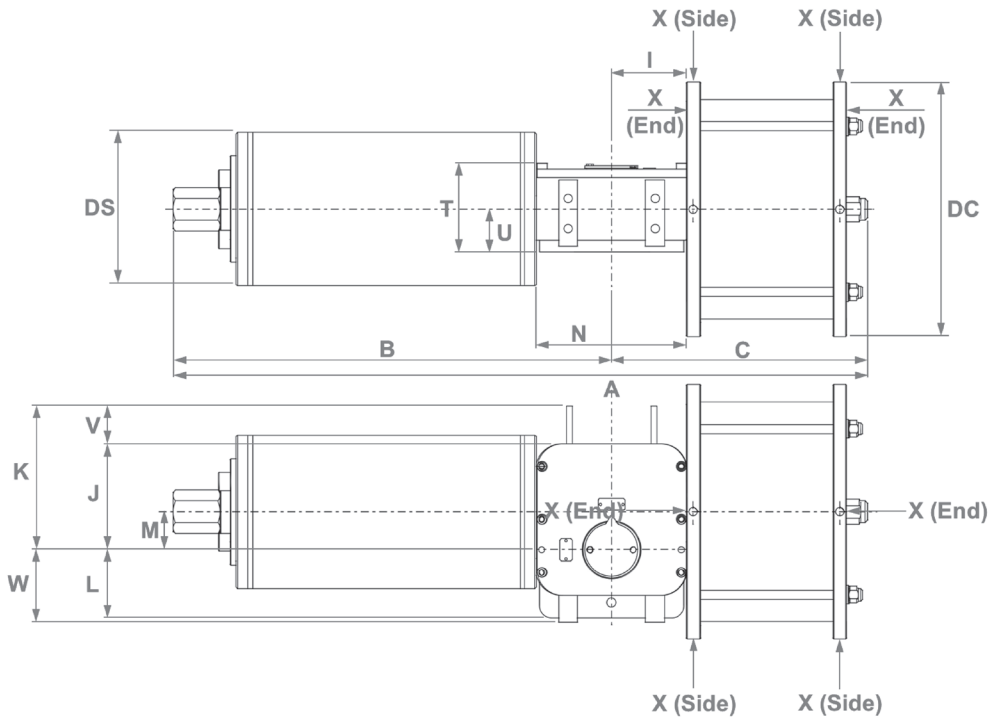
Dimensional Table for Paladon PNX-2-XXX Series (Continued)

| Actuator Model | Dimensions in Inches | | | | | | | | | | | | | | | X NPT x 2 | Weight (lbs) | Swept Volume (cu.in.) |
|------------------|----------------------|------|------|-----|------|-----|-----|-----|-----|-----|-----|-----|-----|-----|-----|-------------------|--------------|-----------------------|
| | A | B | C | DS | DC | I | J | K | L | M | N | T | U | V | W | | | |
| PNX-2-314-SRC4E | 28.8 | 15.2 | 13.6 | 5.0 | 10.0 | 3.9 | 5.5 | 7.5 | 3.6 | 2.0 | 7.8 | 4.7 | 2.3 | 2.0 | 3.8 | 1/4" (side conn.) | 130 | 253 |
| PNX-2-314-SRC5E | 36.9 | 23.4 | 13.6 | 6.3 | 10.0 | 3.9 | 5.5 | 7.5 | 3.6 | 2.0 | 7.8 | 4.7 | 2.3 | 2.0 | 3.8 | 1/4" (side conn.) | 150 | 253 |
| PNX-2-314-SRC6E | 35.8 | 22.2 | 13.6 | 6.3 | 10.0 | 3.9 | 5.5 | 7.5 | 3.6 | 2.0 | 7.8 | 4.7 | 2.3 | 2.0 | 3.8 | 1/4" (side conn.) | 148 | 253 |
| PNX-2-314-SRC7E | 30.8 | 17.3 | 13.6 | 5.0 | 10.0 | 3.9 | 5.5 | 7.5 | 3.6 | 2.0 | 7.8 | 4.7 | 2.3 | 2.0 | 3.8 | 1/4" (side conn.) | 137 | 253 |
| PNX-2-314-SRC8E | 34.4 | 20.8 | 13.6 | 8.6 | 10.0 | 3.9 | 5.5 | 7.5 | 3.6 | 2.0 | 7.8 | 4.7 | 2.3 | 2.0 | 3.8 | 1/4" (side conn.) | 179 | 253 |
| PNX-2-314-SRC9E | 33.0 | 19.4 | 13.6 | 5.0 | 10.0 | 3.9 | 5.5 | 7.5 | 3.6 | 2.0 | 7.8 | 4.7 | 2.3 | 2.0 | 3.8 | 1/4" (side conn.) | 141 | 253 |
| PNX-2-314-SRC10E | 31.2 | 17.6 | 13.6 | 8.6 | 10.0 | 3.9 | 5.5 | 7.5 | 3.6 | 2.0 | 7.8 | 4.7 | 2.3 | 2.0 | 3.8 | 1/4" (side conn.) | 168 | 253 |
| PNX-2-314-SRC11E | 33.7 | 20.1 | 13.6 | 8.0 | 10.0 | 3.9 | 5.5 | 7.5 | 3.6 | 2.0 | 7.8 | 4.7 | 2.3 | 2.0 | 3.8 | 1/4" (side conn.) | 183 | 253 |
| PNX-2-433-SRC1E | 29.0 | 15.4 | 13.6 | 4.0 | 11.8 | 3.9 | 5.5 | 7.5 | 3.6 | 2.0 | 7.8 | 4.7 | 2.3 | 2.0 | 3.8 | 1/4" (side conn.) | 154 | 350 |
| PNX-2-433-SRC2E | 28.6 | 15.0 | 13.6 | 4.0 | 11.8 | 3.9 | 5.5 | 7.5 | 3.6 | 2.0 | 7.8 | 4.7 | 2.3 | 2.0 | 3.8 | 1/4" (side conn.) | 154 | 350 |
| PNX-2-433-SRC3E | 29.2 | 15.6 | 13.6 | 4.0 | 11.8 | 3.9 | 5.5 | 7.5 | 3.6 | 2.0 | 7.8 | 4.7 | 2.3 | 2.0 | 3.8 | 1/4" (side conn.) | 154 | 350 |
| PNX-2-433-SRC4E | 28.8 | 15.2 | 13.6 | 5.0 | 11.8 | 3.9 | 5.5 | 7.5 | 3.6 | 2.0 | 7.8 | 4.7 | 2.3 | 2.0 | 3.8 | 1/4" (side conn.) | 157 | 350 |
| PNX-2-433-SRC5E | 36.9 | 23.4 | 13.6 | 6.3 | 11.8 | 3.9 | 5.5 | 7.5 | 3.6 | 2.0 | 7.8 | 4.7 | 2.3 | 2.0 | 3.8 | 1/4" (side conn.) | 176 | 350 |
| PNX-2-433-SRC6E | 35.8 | 22.2 | 13.6 | 6.3 | 11.8 | 3.9 | 5.5 | 7.5 | 3.6 | 2.0 | 7.8 | 4.7 | 2.3 | 2.0 | 3.8 | 1/4" (side conn.) | 174 | 350 |
| PNX-2-433-SRC7E | 30.8 | 17.3 | 13.6 | 5.0 | 11.8 | 3.9 | 5.5 | 7.5 | 3.6 | 2.0 | 7.8 | 4.7 | 2.3 | 2.0 | 3.8 | 1/4" (side conn.) | 163 | 350 |
| PNX-2-433-SRC8E | 34.4 | 20.8 | 13.6 | 8.6 | 11.8 | 3.9 | 5.5 | 7.5 | 3.6 | 2.0 | 7.8 | 4.7 | 2.3 | 2.0 | 3.8 | 1/4" (side conn.) | 205 | 350 |
| PNX-2-433-SRC9E | 33.0 | 19.4 | 13.6 | 5.0 | 11.8 | 3.9 | 5.5 | 7.5 | 3.6 | 2.0 | 7.8 | 4.7 | 2.3 | 2.0 | 3.8 | 1/4" (side conn.) | 165 | 350 |
| PNX-2-433-SRC10E | 31.2 | 17.6 | 13.6 | 8.6 | 11.8 | 3.9 | 5.5 | 7.5 | 3.6 | 2.0 | 7.8 | 4.7 | 2.3 | 2.0 | 3.8 | 1/4" (side conn.) | 194 | 350 |
| PNX-2-433-SRC11E | 33.7 | 20.1 | 13.6 | 8.0 | 11.8 | 3.9 | 5.5 | 7.5 | 3.6 | 2.0 | 7.8 | 4.7 | 2.3 | 2.0 | 3.8 | 1/4" (side conn.) | 207 | 350 |
| PNX-2-615-SRC1E | 29.0 | 15.4 | 13.6 | 4.0 | 13.6 | 3.9 | 5.5 | 7.5 | 3.6 | 2.0 | 7.8 | 4.7 | 2.3 | 2.0 | 3.8 | 1/4" (side conn.) | 185 | 496 |
| PNX-2-615-SRC2E | 28.6 | 15.0 | 13.6 | 4.0 | 13.6 | 3.9 | 5.5 | 7.5 | 3.6 | 2.0 | 7.8 | 4.7 | 2.3 | 2.0 | 3.8 | 1/4" (side conn.) | 185 | 496 |
| PNX-2-615-SRC3E | 29.2 | 15.6 | 13.6 | 4.0 | 13.6 | 3.9 | 5.5 | 7.5 | 3.6 | 2.0 | 7.8 | 4.7 | 2.3 | 2.0 | 3.8 | 1/4" (side conn.) | 185 | 496 |
| PNX-2-615-SRC4E | 28.8 | 15.2 | 13.6 | 5.0 | 13.6 | 3.9 | 5.5 | 7.5 | 3.6 | 2.0 | 7.8 | 4.7 | 2.3 | 2.0 | 3.8 | 1/4" (side conn.) | 185 | 496 |
| PNX-2-615-SRC5E | 36.9 | 23.4 | 13.6 | 6.3 | 13.6 | 3.9 | 5.5 | 7.5 | 3.6 | 2.0 | 7.8 | 4.7 | 2.3 | 2.0 | 3.8 | 1/4" (side conn.) | 205 | 496 |
| PNX-2-615-SRC6E | 35.8 | 22.2 | 13.6 | 6.3 | 13.6 | 3.9 | 5.5 | 7.5 | 3.6 | 2.0 | 7.8 | 4.7 | 2.3 | 2.0 | 3.8 | 1/4" (side conn.) | 205 | 496 |
| PNX-2-615-SRC7E | 30.8 | 17.3 | 13.6 | 5.0 | 13.6 | 3.9 | 5.5 | 7.5 | 3.6 | 2.0 | 7.8 | 4.7 | 2.3 | 2.0 | 3.8 | 1/4" (side conn.) | 192 | 496 |
| PNX-2-615-SRC8E | 34.4 | 20.8 | 13.6 | 8.6 | 13.6 | 3.9 | 5.5 | 7.5 | 3.6 | 2.0 | 7.8 | 4.7 | 2.3 | 2.0 | 3.8 | 1/4" (side conn.) | 234 | 496 |
| PNX-2-615-SRC9E | 33.0 | 19.4 | 13.6 | 5.0 | 13.6 | 3.9 | 5.5 | 7.5 | 3.6 | 2.0 | 7.8 | 4.7 | 2.3 | 2.0 | 3.8 | 1/4" (side conn.) | 196 | 496 |
| PNX-2-615-SRC10E | 31.2 | 17.6 | 13.6 | 8.6 | 13.6 | 3.9 | 5.5 | 7.5 | 3.6 | 2.0 | 7.8 | 4.7 | 2.3 | 2.0 | 3.8 | 1/4" (side conn.) | 225 | 496 |
| PNX-2-615-SRC11E | 33.7 | 20.1 | 13.6 | 8.0 | 13.6 | 3.9 | 5.5 | 7.5 | 3.6 | 2.0 | 7.8 | 4.7 | 2.3 | 2.0 | 3.8 | 1/4" (side conn.) | 238 | 496 |

Note: Not Certified dimensional data. AutoCAD drawings available on request.
PNX, where X is yoke option, (S)=Symmetrical, (D)=Demi-Canted, (C)=Canted

PN-DIM-1

Dimensional Table for Paladon PNX-8-XXX Series



| Actuator Model | Dimensions in Inches | | | | | | | | | | | | | | | X NPT x 2 | Weight (lbs) | Swept Volume (cu.in.) |
|----------------------|----------------------|------|------|------|------|-----|-----|------|------|-----|------|-----|-----|-----|-----|------------------|--------------|-----------------------|
| | A | B | C | DS | DC | I | J | K | L | M | N | T | U | V | W | | | |
| PNX-8-314-DA | 27.5 | 9.1 | 18.3 | N/A | 10.0 | 5.9 | 8.5 | 11.2 | 5.9 | 3.0 | 11.7 | 6.3 | 3.1 | 2.8 | 6.3 | 1/2" (end conn.) | 207 | 365 |
| PNX-8-433-DA | 27.5 | 9.1 | 18.3 | N/A | 11.8 | 5.9 | 8.5 | 11.2 | 5.9 | 3.0 | 11.7 | 6.3 | 3.1 | 2.8 | 6.3 | 1/2" (end conn.) | 251 | 503 |
| PNX-8-615-DA | 28.6 | 9.1 | 19.4 | N/A | 14.1 | 5.9 | 8.5 | 11.2 | 5.9 | 3.0 | 11.7 | 6.3 | 3.1 | 2.8 | 6.3 | 1/2" (end conn.) | 282 | 715 |
| PNX-8-804-DA | 28.6 | 9.1 | 19.4 | N/A | 15.8 | 5.9 | 8.5 | 11.2 | 11.0 | 3.0 | 11.7 | 6.3 | 3.1 | 2.8 | 6.3 | 1/2" (end conn.) | 324 | 934 |
| PNX-8-1256-DA | 29.7 | 9.1 | 20.6 | N/A | 19.0 | 5.9 | 8.5 | 11.2 | 5.9 | 3.0 | 11.7 | 6.3 | 3.1 | 2.8 | 6.3 | 3/4" (end conn.) | 509 | 1459 |
| PNX-8-1590-DA | 29.7 | 9.1 | 20.6 | N/A | 21.0 | 5.9 | 8.5 | 11.2 | 5.9 | 3.0 | 11.7 | 6.3 | 3.1 | 2.8 | 6.3 | 3/4" (end conn.) | 620 | 1847 |
| PNX-8-2290-DA | 29.9 | 9.1 | 20.8 | N/A | 25.2 | 5.9 | 8.5 | 11.2 | 5.9 | 3.0 | 11.7 | 6.3 | 3.1 | 2.8 | 6.3 | 3/4" (end conn.) | 855 | 2659 |
| PNX-8-314-SRC1F | 43.2 | 24.9 | 18.3 | 6.3 | 10.0 | 5.9 | 8.5 | 11.2 | 5.9 | 3.0 | 11.7 | 6.3 | 3.1 | 2.8 | 6.3 | 1/2" (end conn.) | 240 | 365 |
| PNX-8-314-SRC2F | 41.7 | 23.4 | 18.3 | 6.3 | 10.0 | 5.9 | 8.5 | 11.2 | 5.9 | 3.0 | 11.7 | 6.3 | 3.1 | 2.8 | 6.3 | 1/2" (end conn.) | 238 | 365 |
| PNX-8-314-SRC5F | 45.1 | 26.8 | 18.3 | 8.0 | 10.0 | 5.9 | 8.5 | 11.2 | 5.9 | 3.0 | 11.7 | 6.3 | 3.1 | 2.8 | 6.3 | 1/2" (end conn.) | 278 | 365 |
| PNX-8-314-SRC6F | 49.2 | 30.9 | 18.3 | 8.0 | 10.0 | 5.9 | 8.5 | 11.2 | 5.9 | 3.0 | 11.7 | 6.3 | 3.1 | 2.8 | 6.3 | 1/2" (end conn.) | 306 | 365 |
| PNX-8-314-SRC7F | 47.7 | 29.4 | 18.3 | 8.0 | 10.0 | 5.9 | 8.5 | 11.2 | 5.9 | 3.0 | 11.7 | 6.3 | 3.1 | 2.8 | 6.3 | 1/2" (end conn.) | 302 | 365 |
| PNX-8-314-SRC8F | 55.4 | 37.1 | 18.3 | 10.0 | 10.0 | 5.9 | 8.5 | 11.2 | 5.9 | 3.0 | 11.7 | 6.3 | 3.1 | 2.8 | 6.3 | 1/2" (end conn.) | 445 | 365 |
| PNX-8-314-SRC9F | 53.5 | 35.2 | 18.3 | 10.0 | 10.0 | 5.9 | 8.5 | 11.2 | 5.9 | 3.0 | 11.7 | 6.3 | 3.1 | 2.8 | 6.3 | 1/2" (end conn.) | 426 | 365 |
| PNX-8-314-SRC10F (E) | 46.7 | 28.4 | 18.3 | 16.5 | 10.0 | 5.9 | 8.5 | 11.2 | 5.9 | 3.0 | 11.7 | 6.3 | 3.1 | 2.8 | 6.3 | 1/2" (end conn.) | 604 | 365 |
| PNX-8-314-SRC10F (H) | 56.3 | 38.0 | 18.3 | 11.8 | 10.0 | 5.9 | 8.5 | 11.2 | 5.9 | 3.0 | 11.7 | 6.3 | 3.1 | 2.8 | 6.3 | 1/2" (end conn.) | 505 | 365 |
| PNX-8-314-SRC11F | 53.8 | 35.4 | 18.3 | 11.8 | 10.0 | 5.9 | 8.5 | 11.2 | 5.9 | 3.0 | 11.7 | 6.3 | 3.1 | 2.8 | 6.3 | 1/2" (end conn.) | 377 | 365 |
| PNX-8-314-SRC12F | 48.4 | 30.1 | 18.3 | 11.8 | 10.0 | 5.9 | 8.5 | 11.2 | 5.9 | 3.0 | 11.7 | 6.3 | 3.1 | 2.8 | 6.3 | 1/2" (end conn.) | 388 | 365 |
| PNX-8-314-SRC13F | 57.7 | 39.4 | 18.3 | 13.8 | 10.0 | 5.9 | 8.5 | 11.2 | 5.9 | 3.0 | 11.7 | 6.3 | 3.1 | 2.8 | 6.3 | 1/2" (end conn.) | 505 | 365 |
| PNX-8-314-SRC14F | 66.5 | 48.2 | 18.3 | 16.5 | 10.0 | 5.9 | 8.5 | 11.2 | 5.9 | 3.0 | 11.7 | 6.3 | 3.1 | 2.8 | 6.3 | 1/2" (end conn.) | 961 | 365 |
| PNX-8-314-SRC15F (E) | 53.9 | 35.6 | 18.3 | 16.5 | 10.0 | 5.9 | 8.5 | 11.2 | 5.9 | 3.0 | 11.7 | 6.3 | 3.1 | 2.8 | 6.3 | 1/2" (end conn.) | 650 | 365 |

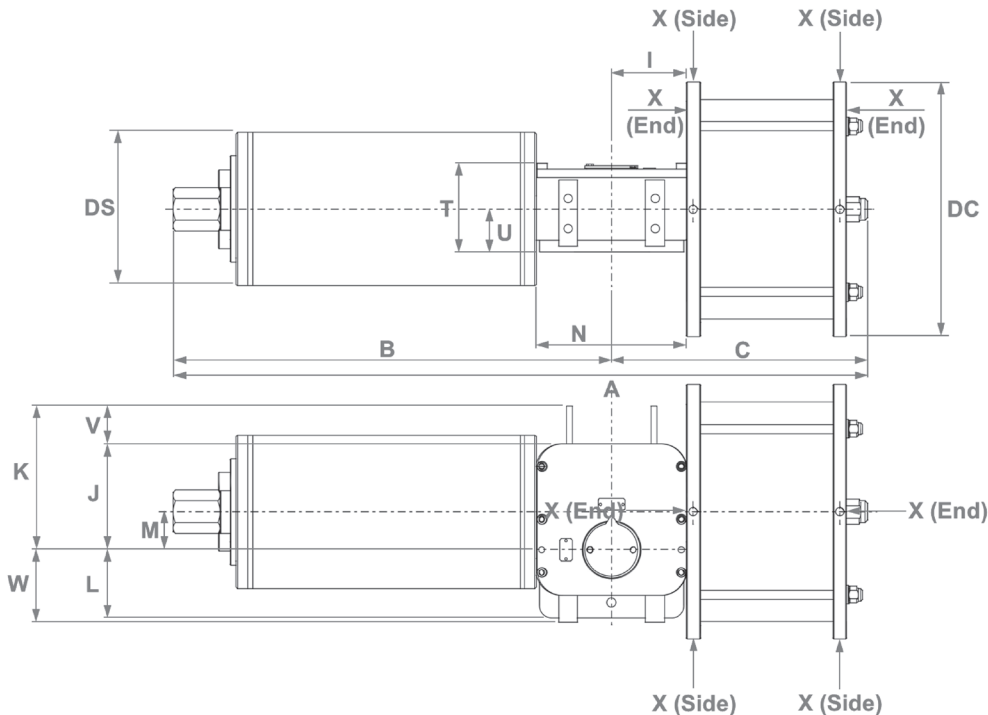
Dimensional Table for Paladon PNX-8-XXX Series (Continued)

| Actuator Model | Dimensions in Inches | | | | | | | | | | | | | | | X NPT x 2 | Weight (lbs) | Swept Volume (cu.in.) |
|----------------------|----------------------|------|------|------|------|-----|-----|------|-----|-----|------|-----|-----|-----|-----|------------------|--------------|-----------------------|
| | A | B | C | DS | DC | I | J | K | L | M | N | T | U | V | W | | | |
| PNX-8-314-SRC15F (H) | 63.6 | 45.3 | 18.3 | 13.5 | 10.0 | 5.9 | 8.5 | 11.2 | 5.9 | 3.0 | 11.7 | 6.3 | 3.1 | 2.8 | 6.3 | 1/2" (end conn.) | 664 | 365 |
| PNX-8-314-SRC16F | 51.0 | 32.6 | 18.3 | 16.5 | 10.0 | 5.9 | 8.5 | 11.2 | 5.9 | 3.0 | 11.7 | 6.3 | 3.1 | 2.8 | 6.3 | 1/2" (end conn.) | 635 | 365 |
| PNX-8-433-SRC1F | 43.2 | 24.9 | 18.3 | 6.3 | 11.8 | 5.9 | 8.5 | 11.2 | 5.9 | 3.0 | 11.7 | 6.3 | 3.1 | 2.8 | 6.3 | 1/2" (end conn.) | 282 | 503 |
| PNX-8-433-SRC2F | 41.7 | 23.4 | 18.3 | 6.3 | 11.8 | 5.9 | 8.5 | 11.2 | 5.9 | 3.0 | 11.7 | 6.3 | 3.1 | 2.8 | 6.3 | 1/2" (end conn.) | 282 | 503 |
| PNX-8-433-SRC3F | 42.2 | 23.9 | 18.3 | 8.6 | 11.8 | 5.9 | 8.5 | 11.2 | 5.9 | 3.0 | 11.7 | 6.3 | 3.1 | 2.8 | 6.3 | 1/2" (end conn.) | 315 | 503 |
| PNX-8-433-SRC4F | 42.2 | 23.9 | 18.3 | 8.6 | 11.8 | 5.9 | 8.5 | 11.2 | 5.9 | 3.0 | 11.7 | 6.3 | 3.1 | 2.8 | 6.3 | 1/2" (end conn.) | 317 | 503 |
| PNX-8-433-SRC5F | 45.1 | 26.8 | 18.3 | 8.0 | 11.8 | 5.9 | 8.5 | 11.2 | 5.9 | 3.0 | 11.7 | 6.3 | 3.1 | 2.8 | 6.3 | 1/2" (end conn.) | 322 | 503 |
| PNX-8-433-SRC6F | 49.2 | 30.9 | 18.3 | 8.0 | 11.8 | 5.9 | 8.5 | 11.2 | 5.9 | 3.0 | 11.7 | 6.3 | 3.1 | 2.8 | 6.3 | 1/2" (end conn.) | 351 | 503 |
| PNX-8-433-SRC7F | 47.7 | 29.4 | 18.3 | 8.0 | 11.8 | 5.9 | 8.5 | 11.2 | 5.9 | 3.0 | 11.7 | 6.3 | 3.1 | 2.8 | 6.3 | 1/2" (end conn.) | 344 | 503 |
| PNX-8-433-SRC8F | 55.4 | 37.1 | 18.3 | 10.0 | 11.8 | 5.9 | 8.5 | 11.2 | 5.9 | 3.0 | 11.7 | 6.3 | 3.1 | 2.8 | 6.3 | 1/2" (end conn.) | 489 | 503 |
| PNX-8-433-SRC9F | 53.5 | 35.2 | 18.3 | 10.0 | 11.8 | 5.9 | 8.5 | 11.2 | 5.9 | 3.0 | 11.7 | 6.3 | 3.1 | 2.8 | 6.3 | 1/2" (end conn.) | 470 | 503 |
| PNX-8-433-SRC10F (E) | 46.7 | 28.4 | 18.3 | 16.5 | 11.8 | 5.9 | 8.5 | 11.2 | 5.9 | 3.0 | 11.7 | 6.3 | 3.1 | 2.8 | 6.3 | 1/2" (end conn.) | 648 | 503 |
| PNX-8-433-SRC10F (H) | 56.3 | 38.0 | 18.3 | 11.8 | 11.8 | 5.9 | 8.5 | 11.2 | 5.9 | 3.0 | 11.7 | 6.3 | 3.1 | 2.8 | 6.3 | 1/2" (end conn.) | 549 | 503 |
| PNX-8-433-SRC11F | 53.8 | 35.4 | 18.3 | 11.8 | 11.8 | 5.9 | 8.5 | 11.2 | 5.9 | 3.0 | 11.7 | 6.3 | 3.1 | 2.8 | 6.3 | 1/2" (end conn.) | 419 | 503 |
| PNX-8-433-SRC12F | 48.4 | 30.1 | 18.3 | 11.8 | 11.8 | 5.9 | 8.5 | 11.2 | 5.9 | 3.0 | 11.7 | 6.3 | 3.1 | 2.8 | 6.3 | 1/2" (end conn.) | 432 | 503 |
| PNX-8-433-SRC13F | 57.7 | 39.4 | 18.3 | 13.8 | 11.8 | 5.9 | 8.5 | 11.2 | 5.9 | 3.0 | 11.7 | 6.3 | 3.1 | 2.8 | 6.3 | 1/2" (end conn.) | 549 | 503 |
| PNX-8-433-SRC14F | 66.5 | 48.2 | 18.3 | 16.5 | 11.8 | 5.9 | 8.5 | 11.2 | 5.9 | 3.0 | 11.7 | 6.3 | 3.1 | 2.8 | 6.3 | 1/2" (end conn.) | 1005 | 503 |
| PNX-8-433-SRC15F (E) | 53.9 | 35.6 | 18.3 | 16.5 | 11.8 | 5.9 | 8.5 | 11.2 | 5.9 | 3.0 | 11.7 | 6.3 | 3.1 | 2.8 | 6.3 | 1/2" (end conn.) | 692 | 503 |
| PNX-8-433-SRC15F (H) | 63.6 | 45.3 | 18.3 | 13.5 | 11.8 | 5.9 | 8.5 | 11.2 | 5.9 | 3.0 | 11.7 | 6.3 | 3.1 | 2.8 | 6.3 | 1/2" (end conn.) | 708 | 503 |
| PNX-8-433-SRC16F | 51.0 | 32.6 | 18.3 | 16.5 | 11.8 | 5.9 | 8.5 | 11.2 | 5.9 | 3.0 | 11.7 | 6.3 | 3.1 | 2.8 | 6.3 | 1/2" (end conn.) | 677 | 503 |
| PNX-8-615-SRC1F | 44.3 | 24.9 | 19.4 | 6.3 | 14.1 | 5.9 | 8.5 | 11.2 | 5.9 | 3.0 | 11.7 | 6.3 | 3.1 | 2.8 | 6.3 | 1/2" (end conn.) | 315 | 715 |
| PNX-8-615-SRC2F | 42.8 | 23.4 | 19.4 | 6.3 | 14.1 | 5.9 | 8.5 | 11.2 | 5.9 | 3.0 | 11.7 | 6.3 | 3.1 | 2.8 | 6.3 | 1/2" (end conn.) | 313 | 715 |
| PNX-8-615-SRC3F | 43.3 | 23.9 | 19.4 | 8.6 | 14.1 | 5.9 | 8.5 | 11.2 | 5.9 | 3.0 | 11.7 | 6.3 | 3.1 | 2.8 | 6.3 | 1/2" (end conn.) | 346 | 715 |
| PNX-8-615-SRC4F | 43.3 | 23.9 | 19.4 | 8.6 | 14.1 | 5.9 | 8.5 | 11.2 | 5.9 | 3.0 | 11.7 | 6.3 | 3.1 | 2.8 | 6.3 | 1/2" (end conn.) | 348 | 715 |
| PNX-8-615-SRC5F | 46.2 | 26.8 | 19.4 | 8.0 | 14.1 | 5.9 | 8.5 | 11.2 | 5.9 | 3.0 | 11.7 | 6.3 | 3.1 | 2.8 | 6.3 | 1/2" (end conn.) | 353 | 715 |
| PNX-8-615-SRC6F | 50.3 | 30.9 | 19.4 | 8.0 | 14.1 | 5.9 | 8.5 | 11.2 | 5.9 | 3.0 | 11.7 | 6.3 | 3.1 | 2.8 | 6.3 | 1/2" (end conn.) | 381 | 715 |
| PNX-8-615-SRC7F | 48.8 | 29.4 | 19.4 | 8.0 | 14.1 | 5.9 | 8.5 | 11.2 | 5.9 | 3.0 | 11.7 | 6.3 | 3.1 | 2.8 | 6.3 | 1/2" (end conn.) | 377 | 715 |
| PNX-8-615-SRC8F | 56.5 | 37.1 | 19.4 | 10.0 | 14.1 | 5.9 | 8.5 | 11.2 | 5.9 | 3.0 | 11.7 | 6.3 | 3.1 | 2.8 | 6.3 | 1/2" (end conn.) | 520 | 715 |
| PNX-8-615-SRC9F | 54.6 | 35.2 | 19.4 | 10.0 | 14.1 | 5.9 | 8.5 | 11.2 | 5.9 | 3.0 | 11.7 | 6.3 | 3.1 | 2.8 | 6.3 | 1/2" (end conn.) | 500 | 715 |
| PNX-8-615-SRC10F (E) | 47.8 | 28.4 | 19.4 | 16.5 | 14.1 | 5.9 | 8.5 | 11.2 | 5.9 | 3.0 | 11.7 | 6.3 | 3.1 | 2.8 | 6.3 | 1/2" (end conn.) | 679 | 715 |
| PNX-8-615-SRC10F (H) | 57.4 | 38.0 | 19.4 | 11.8 | 14.1 | 5.9 | 8.5 | 11.2 | 5.9 | 3.0 | 11.7 | 6.3 | 3.1 | 2.8 | 6.3 | 1/2" (end conn.) | 580 | 715 |
| PNX-8-615-SRC11F | 54.9 | 35.4 | 19.4 | 11.8 | 14.1 | 5.9 | 8.5 | 11.2 | 5.9 | 3.0 | 11.7 | 6.3 | 3.1 | 2.8 | 6.3 | 1/2" (end conn.) | 452 | 715 |
| PNX-8-615-SRC14F | 67.6 | 48.2 | 19.4 | 16.5 | 14.1 | 5.9 | 8.5 | 11.2 | 5.9 | 3.0 | 11.7 | 6.3 | 3.1 | 2.8 | 6.3 | 1/2" (end conn.) | 1036 | 715 |
| PNX-8-615-SRC15F (E) | 55.0 | 35.6 | 19.4 | 16.5 | 14.1 | 5.9 | 8.5 | 11.2 | 5.9 | 3.0 | 11.7 | 6.3 | 3.1 | 2.8 | 6.3 | 1/2" (end conn.) | 725 | 715 |
| PNX-8-615-SRC15F (H) | 64.7 | 45.3 | 19.4 | 13.5 | 14.1 | 5.9 | 8.5 | 11.2 | 5.9 | 3.0 | 11.7 | 6.3 | 3.1 | 2.8 | 6.3 | 1/2" (end conn.) | 739 | 715 |
| PNX-8-615-SRC16F | 52.1 | 32.6 | 19.4 | 16.5 | 14.1 | 5.9 | 8.5 | 11.2 | 5.9 | 3.0 | 11.7 | 6.3 | 3.1 | 2.8 | 6.3 | 1/2" (end conn.) | 710 | 715 |
| PNX-8-804-SRC1F | 44.3 | 24.9 | 19.4 | 6.3 | 15.8 | 5.9 | 8.5 | 11.2 | 5.9 | 3.0 | 11.7 | 6.3 | 3.1 | 2.8 | 6.3 | 1/2" (end conn.) | 357 | 934 |
| PNX-8-804-SRC2F | 42.8 | 23.4 | 19.4 | 6.3 | 15.8 | 5.9 | 8.5 | 11.2 | 5.9 | 3.0 | 11.7 | 6.3 | 3.1 | 2.8 | 6.3 | 1/2" (end conn.) | 355 | 934 |
| PNX-8-804-SRC3F | 43.3 | 23.9 | 19.4 | 8.6 | 15.8 | 5.9 | 8.5 | 11.2 | 5.9 | 3.0 | 11.7 | 6.3 | 3.1 | 2.8 | 6.3 | 1/2" (end conn.) | 388 | 934 |
| PNX-8-804-SRC4F | 43.3 | 23.9 | 19.4 | 8.6 | 15.8 | 5.9 | 8.5 | 11.2 | 5.9 | 3.0 | 11.7 | 6.3 | 3.1 | 2.8 | 6.3 | 1/2" (end conn.) | 390 | 934 |
| PNX-8-804-SRC5F | 46.2 | 26.8 | 19.4 | 8.0 | 15.8 | 5.9 | 8.5 | 11.2 | 5.9 | 3.0 | 11.7 | 6.3 | 3.1 | 2.8 | 6.3 | 1/2" (end conn.) | 395 | 934 |
| PNX-8-804-SRC6F | 50.3 | 30.9 | 19.4 | 8.0 | 15.8 | 5.9 | 8.5 | 11.2 | 5.9 | 3.0 | 11.7 | 6.3 | 3.1 | 2.8 | 6.3 | 1/2" (end conn.) | 423 | 934 |

Note: Not Certified dimensional data. AutoCAD drawings available on request.
PNX, where X is yoke option, (S)=Symmetrical, (D)=Demi-Canted, (C)=Canted

PN-DIM-1

Dimensional Table for Paladon PNX-8-XXX Series (Continued)



| Actuator Model | Dimensions in Inches | | | | | | | | | | | | | | | X NPT x 2 | Weight (lbs) | Swept Volume (cu.in.) |
|----------------------|----------------------|------|------|------|------|-----|-----|------|-----|-----|------|-----|-----|-----|-----|------------------|--------------|-----------------------|
| | A | B | C | DS | DC | I | J | K | L | M | N | T | U | V | W | | | |
| PNX-8-804-SRC7F | 48.8 | 29.4 | 19.4 | 8.0 | 15.8 | 5.9 | 8.5 | 11.2 | 5.9 | 3.0 | 11.7 | 6.3 | 3.1 | 2.8 | 6.3 | 1/2" (end conn.) | 419 | 934 |
| PNX-8-804-SRC8F | 56.5 | 37.1 | 19.4 | 10.0 | 15.8 | 5.9 | 8.5 | 11.2 | 5.9 | 3.0 | 11.7 | 6.3 | 3.1 | 2.8 | 6.3 | 1/2" (end conn.) | 562 | 934 |
| PNX-8-804-SRC9F | 54.6 | 35.2 | 19.4 | 10.0 | 15.8 | 5.9 | 8.5 | 11.2 | 5.9 | 3.0 | 11.7 | 6.3 | 3.1 | 2.8 | 6.3 | 1/2" (end conn.) | 542 | 934 |
| PNX-8-804-SRC10F (E) | 47.8 | 28.4 | 19.4 | 16.5 | 15.8 | 5.9 | 8.5 | 11.2 | 5.9 | 3.0 | 11.7 | 6.3 | 3.1 | 2.8 | 6.3 | 1/2" (end conn.) | 721 | 934 |
| PNX-8-804-SRC10F (H) | 57.4 | 38.0 | 19.4 | 11.8 | 15.8 | 5.9 | 8.5 | 11.2 | 5.9 | 3.0 | 11.7 | 6.3 | 3.1 | 2.8 | 6.3 | 1/2" (end conn.) | 622 | 934 |
| PNX-8-804-SRC11F | 54.9 | 35.4 | 19.4 | 11.8 | 15.8 | 5.9 | 8.5 | 11.2 | 5.9 | 3.0 | 11.7 | 6.3 | 3.1 | 2.8 | 6.3 | 1/2" (end conn.) | 494 | 934 |
| PNX-8-804-SRC12F | 49.5 | 30.1 | 19.4 | 11.8 | 15.8 | 5.9 | 8.5 | 11.2 | 5.9 | 3.0 | 11.7 | 6.3 | 3.1 | 2.8 | 6.3 | 1/2" (end conn.) | 505 | 934 |
| PNX-8-804-SRC13F | 58.8 | 39.4 | 19.4 | 13.8 | 15.8 | 5.9 | 8.5 | 11.2 | 5.9 | 3.0 | 11.7 | 6.3 | 3.1 | 2.8 | 6.3 | 1/2" (end conn.) | 622 | 934 |
| PNX-8-804-SRC14F | 67.6 | 48.2 | 19.4 | 16.5 | 15.8 | 5.9 | 8.5 | 11.2 | 5.9 | 3.0 | 11.7 | 6.3 | 3.1 | 2.8 | 6.3 | 1/2" (end conn.) | 1078 | 934 |
| PNX-8-804-SRC15F (E) | 55.0 | 35.6 | 19.4 | 16.5 | 15.8 | 5.9 | 8.5 | 11.2 | 5.9 | 3.0 | 11.7 | 6.3 | 3.1 | 2.8 | 6.3 | 1/2" (end conn.) | 767 | 934 |
| PNX-8-804-SRC15F (H) | 64.7 | 45.3 | 19.4 | 13.5 | 15.8 | 5.9 | 8.5 | 11.2 | 5.9 | 3.0 | 11.7 | 6.3 | 3.1 | 2.8 | 6.3 | 1/2" (end conn.) | 780 | 934 |
| PNX-8-804-SRC16F | 52.1 | 32.6 | 19.4 | 16.5 | 15.8 | 5.9 | 8.5 | 11.2 | 5.9 | 3.0 | 11.7 | 6.3 | 3.1 | 2.8 | 6.3 | 1/2" (end conn.) | 752 | 934 |
| PNX-8-1256-SRC1F | 45.5 | 24.9 | 20.6 | 6.3 | 19.0 | 5.9 | 8.5 | 11.2 | 5.9 | 3.0 | 11.7 | 6.3 | 3.1 | 2.8 | 6.3 | 3/4" (end conn.) | 540 | 1459 |
| PNX-8-1256-SRC2F | 43.9 | 23.4 | 20.6 | 6.3 | 19.0 | 5.9 | 8.5 | 11.2 | 5.9 | 3.0 | 11.7 | 6.3 | 3.1 | 2.8 | 6.3 | 3/4" (end conn.) | 538 | 1459 |
| PNX-8-1256-SRC3F | 44.5 | 23.9 | 20.6 | 8.6 | 19.0 | 5.9 | 8.5 | 11.2 | 5.9 | 3.0 | 11.7 | 6.3 | 3.1 | 2.8 | 6.3 | 3/4" (end conn.) | 573 | 1459 |
| PNX-8-1256-SRC4F | 44.5 | 23.9 | 20.6 | 8.6 | 19.0 | 5.9 | 8.5 | 11.2 | 5.9 | 3.0 | 11.7 | 6.3 | 3.1 | 2.8 | 6.3 | 3/4" (end conn.) | 575 | 1459 |
| PNX-8-1256-SRC5F | 47.4 | 26.8 | 20.6 | 8.0 | 19.0 | 5.9 | 8.5 | 11.2 | 5.9 | 3.0 | 11.7 | 6.3 | 3.1 | 2.8 | 6.3 | 3/4" (end conn.) | 578 | 1459 |
| PNX-8-1256-SRC6F | 51.4 | 30.9 | 20.6 | 8.0 | 19.0 | 5.9 | 8.5 | 11.2 | 5.9 | 3.0 | 11.7 | 6.3 | 3.1 | 2.8 | 6.3 | 3/4" (end conn.) | 608 | 1459 |
| PNX-8-1256-SRC7F | 50.0 | 29.4 | 20.6 | 8.0 | 19.0 | 5.9 | 8.5 | 11.2 | 5.9 | 3.0 | 11.7 | 6.3 | 3.1 | 2.8 | 6.3 | 3/4" (end conn.) | 602 | 1459 |
| PNX-8-1256-SRC8F | 57.6 | 37.1 | 20.6 | 10.0 | 19.0 | 5.9 | 8.5 | 11.2 | 5.9 | 3.0 | 11.7 | 6.3 | 3.1 | 2.8 | 6.3 | 3/4" (end conn.) | 747 | 1459 |
| PNX-8-1256-SRC9F | 55.7 | 35.2 | 20.6 | 10.0 | 19.0 | 5.9 | 8.5 | 11.2 | 5.9 | 3.0 | 11.7 | 6.3 | 3.1 | 2.8 | 6.3 | 3/4" (end conn.) | 728 | 1459 |

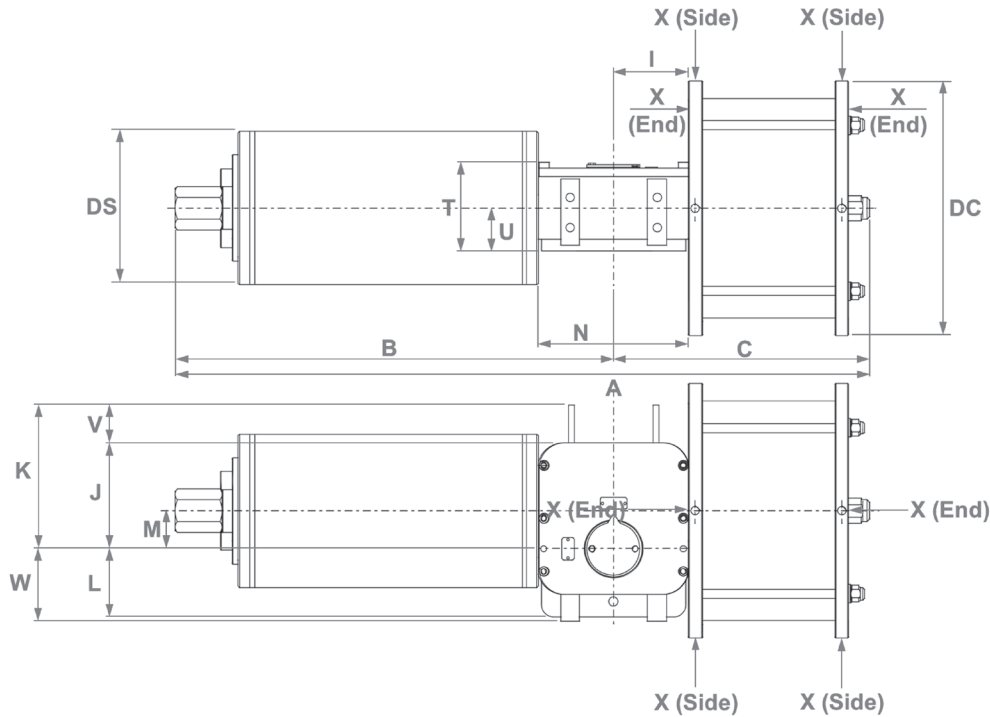
Dimensional Table for Paladon PNX-8-XXX Series (Continued)

| Actuator Model | Dimensions in Inches | | | | | | | | | | | | | | | X NPT x 2 | Weight (lbs) | Swept Volume (cu.in.) |
|-----------------------|----------------------|------|------|------|------|-----|-----|------|-----|-----|------|-----|-----|-----|-----|------------------|--------------|-----------------------|
| | A | B | C | DS | DC | I | J | K | L | M | N | T | U | V | W | | | |
| PNX-8-1256-SRC10F (E) | 48.9 | 28.4 | 20.6 | 16.5 | 19.0 | 5.9 | 8.5 | 11.2 | 5.9 | 3.0 | 11.7 | 6.3 | 3.1 | 2.8 | 6.3 | 3/4" (end conn.) | 906 | 1459 |
| PNX-8-1256-SRC10F (H) | 58.6 | 38.0 | 20.6 | 11.8 | 19.0 | 5.9 | 8.5 | 11.2 | 5.9 | 3.0 | 11.7 | 6.3 | 3.1 | 2.8 | 6.3 | 3/4" (end conn.) | 807 | 1459 |
| PNX-8-1256-SRC11F | 56.0 | 35.4 | 20.6 | 11.8 | 19.0 | 5.9 | 8.5 | 11.2 | 5.9 | 3.0 | 11.7 | 6.3 | 3.1 | 2.8 | 6.3 | 3/4" (end conn.) | 677 | 1459 |
| PNX-8-1256-SRC12F | 50.7 | 30.1 | 20.6 | 11.8 | 19.0 | 5.9 | 8.5 | 11.2 | 5.9 | 3.0 | 11.7 | 6.3 | 3.1 | 2.8 | 6.3 | 3/4" (end conn.) | 690 | 1459 |
| PNX-8-1256-SRC13F | 59.9 | 39.4 | 20.6 | 13.8 | 19.0 | 5.9 | 8.5 | 11.2 | 5.9 | 3.0 | 11.7 | 6.3 | 3.1 | 2.8 | 6.3 | 3/4" (end conn.) | 807 | 1459 |
| PNX-8-1256-SRC14F | 68.8 | 48.2 | 20.6 | 16.5 | 19.0 | 5.9 | 8.5 | 11.2 | 5.9 | 3.0 | 11.7 | 6.3 | 3.1 | 2.8 | 6.3 | 3/4" (end conn.) | 1261 | 1459 |
| PNX-8-1256-SRC15F (E) | 56.2 | 35.6 | 20.6 | 16.5 | 19.0 | 5.9 | 8.5 | 11.2 | 5.9 | 3.0 | 11.7 | 6.3 | 3.1 | 2.8 | 6.3 | 3/4" (end conn.) | 950 | 1459 |
| PNX-8-1256-SRC15F (H) | 65.8 | 45.3 | 20.6 | 13.5 | 19.0 | 5.9 | 8.5 | 11.2 | 5.9 | 3.0 | 11.7 | 6.3 | 3.1 | 2.8 | 6.3 | 3/4" (end conn.) | 966 | 1459 |
| PNX-8-1256-SRC16F | 53.2 | 32.6 | 20.6 | 16.5 | 19.0 | 5.9 | 8.5 | 11.2 | 5.9 | 3.0 | 11.7 | 6.3 | 3.1 | 2.8 | 6.3 | 3/4" (end conn.) | 935 | 1459 |
| PNX-8-1590-SRC1F | 45.5 | 24.9 | 20.6 | 6.3 | 21.0 | 5.9 | 8.5 | 11.2 | 5.9 | 3.0 | 11.7 | 6.3 | 3.1 | 2.8 | 6.3 | 3/4" (end conn.) | 653 | 1847 |
| PNX-8-1590-SRC2F | 43.9 | 23.4 | 20.6 | 6.3 | 21.0 | 5.9 | 8.5 | 11.2 | 5.9 | 3.0 | 11.7 | 6.3 | 3.1 | 2.8 | 6.3 | 3/4" (end conn.) | 650 | 1847 |
| PNX-8-1590-SRC3F | 44.5 | 23.9 | 20.6 | 8.6 | 21.0 | 5.9 | 8.5 | 11.2 | 5.9 | 3.0 | 11.7 | 6.3 | 3.1 | 2.8 | 6.3 | 3/4" (end conn.) | 683 | 1847 |
| PNX-8-1590-SRC4F | 44.5 | 23.9 | 20.6 | 8.6 | 21.0 | 5.9 | 8.5 | 11.2 | 5.9 | 3.0 | 11.7 | 6.3 | 3.1 | 2.8 | 6.3 | 3/4" (end conn.) | 686 | 1847 |
| PNX-8-1590-SRC5F | 47.4 | 26.8 | 20.6 | 8.0 | 21.0 | 5.9 | 8.5 | 11.2 | 5.9 | 3.0 | 11.7 | 6.3 | 3.1 | 2.8 | 6.3 | 3/4" (end conn.) | 690 | 1847 |
| PNX-8-1590-SRC6F | 51.4 | 30.9 | 20.6 | 8.0 | 21.0 | 5.9 | 8.5 | 11.2 | 5.9 | 3.0 | 11.7 | 6.3 | 3.1 | 2.8 | 6.3 | 3/4" (end conn.) | 719 | 1847 |
| PNX-8-1590-SRC7F | 50.0 | 29.4 | 20.6 | 8.0 | 21.0 | 5.9 | 8.5 | 11.2 | 5.9 | 3.0 | 11.7 | 6.3 | 3.1 | 2.8 | 6.3 | 3/4" (end conn.) | 712 | 1847 |
| PNX-8-1590-SRC8F | 57.6 | 37.1 | 20.6 | 10.0 | 21.0 | 5.9 | 8.5 | 11.2 | 5.9 | 3.0 | 11.7 | 6.3 | 3.1 | 2.8 | 6.3 | 3/4" (end conn.) | 858 | 1847 |
| PNX-8-1590-SRC9F | 55.7 | 35.2 | 20.6 | 10.0 | 21.0 | 5.9 | 8.5 | 11.2 | 5.9 | 3.0 | 11.7 | 6.3 | 3.1 | 2.8 | 6.3 | 3/4" (end conn.) | 838 | 1847 |
| PNX-8-1590-SRC10F (E) | 48.9 | 28.4 | 20.6 | 16.5 | 21.0 | 5.9 | 8.5 | 11.2 | 5.9 | 3.0 | 11.7 | 6.3 | 3.1 | 2.8 | 6.3 | 3/4" (end conn.) | 1016 | 1847 |
| PNX-8-1590-SRC10F (H) | 58.6 | 38.0 | 20.6 | 11.8 | 21.0 | 5.9 | 8.5 | 11.2 | 5.9 | 3.0 | 11.7 | 6.3 | 3.1 | 2.8 | 6.3 | 3/4" (end conn.) | 917 | 1847 |
| PNX-8-1590-SRC11F | 56.0 | 35.4 | 20.6 | 11.8 | 21.0 | 5.9 | 8.5 | 11.2 | 5.9 | 3.0 | 11.7 | 6.3 | 3.1 | 2.8 | 6.3 | 3/4" (end conn.) | 789 | 1847 |
| PNX-8-1590-SRC12F | 50.7 | 30.1 | 20.6 | 11.8 | 21.0 | 5.9 | 8.5 | 11.2 | 5.9 | 3.0 | 11.7 | 6.3 | 3.1 | 2.8 | 6.3 | 3/4" (end conn.) | 800 | 1847 |
| PNX-8-1590-SRC15F (E) | 56.2 | 35.6 | 20.6 | 16.5 | 21.0 | 5.9 | 8.5 | 11.2 | 5.9 | 3.0 | 11.7 | 6.3 | 3.1 | 2.8 | 6.3 | 3/4" (end conn.) | 1063 | 1847 |
| PNX-8-1590-SRC15F (H) | 65.8 | 45.3 | 20.6 | 13.5 | 21.0 | 5.9 | 8.5 | 11.2 | 5.9 | 3.0 | 11.7 | 6.3 | 3.1 | 2.8 | 6.3 | 3/4" (end conn.) | 1076 | 1847 |
| PNX-8-1590-SRC16F | 53.2 | 32.6 | 20.6 | 16.5 | 21.0 | 5.9 | 8.5 | 11.2 | 5.9 | 3.0 | 11.7 | 6.3 | 3.1 | 2.8 | 6.3 | 3/4" (end conn.) | 1045 | 1847 |
| PNX-8-2290-SRC1F | 45.7 | 24.9 | 20.8 | 6.3 | 25.2 | 5.9 | 8.5 | 11.2 | 5.9 | 3.0 | 11.7 | 6.3 | 3.1 | 2.8 | 6.3 | 3/4" (end conn.) | 888 | 2659 |
| PNX-8-2290-SRC2F | 44.2 | 23.4 | 20.8 | 6.3 | 25.2 | 5.9 | 8.5 | 11.2 | 5.9 | 3.0 | 11.7 | 6.3 | 3.1 | 2.8 | 6.3 | 3/4" (end conn.) | 886 | 2659 |
| PNX-8-2290-SRC3F | 44.7 | 23.9 | 20.8 | 8.6 | 25.2 | 5.9 | 8.5 | 11.2 | 5.9 | 3.0 | 11.7 | 6.3 | 3.1 | 2.8 | 6.3 | 3/4" (end conn.) | 919 | 2659 |
| PNX-8-2290-SRC4F | 44.7 | 23.9 | 20.8 | 8.6 | 25.2 | 5.9 | 8.5 | 11.2 | 5.9 | 3.0 | 11.7 | 6.3 | 3.1 | 2.8 | 6.3 | 3/4" (end conn.) | 922 | 2659 |
| PNX-8-2290-SRC5F | 47.6 | 26.8 | 20.8 | 8.0 | 25.2 | 5.9 | 8.5 | 11.2 | 5.9 | 3.0 | 11.7 | 6.3 | 3.1 | 2.8 | 6.3 | 3/4" (end conn.) | 926 | 2659 |
| PNX-8-2290-SRC6F | 51.7 | 30.9 | 20.8 | 8.0 | 25.2 | 5.9 | 8.5 | 11.2 | 5.9 | 3.0 | 11.7 | 6.3 | 3.1 | 2.8 | 6.3 | 3/4" (end conn.) | 955 | 2659 |
| PNX-8-2290-SRC7F | 50.2 | 29.4 | 20.8 | 8.0 | 25.2 | 5.9 | 8.5 | 11.2 | 5.9 | 3.0 | 11.7 | 6.3 | 3.1 | 2.8 | 6.3 | 3/4" (end conn.) | 948 | 2659 |
| PNX-8-2290-SRC8F | 57.9 | 37.1 | 20.8 | 10.0 | 25.2 | 5.9 | 8.5 | 11.2 | 5.9 | 3.0 | 11.7 | 6.3 | 3.1 | 2.8 | 6.3 | 3/4" (end conn.) | 1094 | 2659 |
| PNX-8-2290-SRC9F | 56.0 | 35.2 | 20.8 | 10.0 | 25.2 | 5.9 | 8.5 | 11.2 | 5.9 | 3.0 | 11.7 | 6.3 | 3.1 | 2.8 | 6.3 | 3/4" (end conn.) | 1074 | 2659 |
| PNX-8-2290-SRC10F (E) | 49.1 | 28.4 | 20.8 | 16.5 | 25.2 | 5.9 | 8.5 | 11.2 | 5.9 | 3.0 | 11.7 | 6.3 | 3.1 | 2.8 | 6.3 | 3/4" (end conn.) | 1252 | 2659 |
| PNX-8-2290-SRC10F (H) | 58.8 | 38.0 | 20.8 | 11.8 | 25.2 | 5.9 | 8.5 | 11.2 | 5.9 | 3.0 | 11.7 | 6.3 | 3.1 | 2.8 | 6.3 | 3/4" (end conn.) | 1153 | 2659 |
| PNX-8-2290-SRC11F | 56.2 | 35.4 | 20.8 | 11.8 | 25.2 | 5.9 | 8.5 | 11.2 | 5.9 | 3.0 | 11.7 | 6.3 | 3.1 | 2.8 | 6.3 | 3/4" (end conn.) | 1025 | 2659 |
| PNX-8-2290-SRC12F | 50.9 | 30.1 | 20.8 | 11.8 | 25.2 | 5.9 | 8.5 | 11.2 | 5.9 | 3.0 | 11.7 | 6.3 | 3.1 | 2.8 | 6.3 | 3/4" (end conn.) | 1036 | 2659 |
| PNX-8-2290-SRC13F | 60.2 | 39.4 | 20.8 | 13.8 | 25.2 | 5.9 | 8.5 | 11.2 | 5.9 | 3.0 | 11.7 | 6.3 | 3.1 | 2.8 | 6.3 | 3/4" (end conn.) | 1153 | 2659 |
| PNX-8-2290-SRC14F | 69.0 | 48.2 | 20.8 | 16.5 | 25.2 | 5.9 | 8.5 | 11.2 | 5.9 | 3.0 | 11.7 | 6.3 | 3.1 | 2.8 | 6.3 | 3/4" (end conn.) | 1609 | 2659 |
| PNX-8-2290-SRC15F (E) | 56.4 | 35.6 | 20.8 | 16.5 | 25.2 | 5.9 | 8.5 | 11.2 | 5.9 | 3.0 | 11.7 | 6.3 | 3.1 | 2.8 | 6.3 | 3/4" (end conn.) | 1299 | 2659 |
| PNX-8-2290-SRC15F (H) | 66.1 | 45.3 | 20.8 | 13.5 | 25.2 | 5.9 | 8.5 | 11.2 | 5.9 | 3.0 | 11.7 | 6.3 | 3.1 | 2.8 | 6.3 | 3/4" (end conn.) | 1312 | 2659 |
| PNX-8-2290-SRC16F | 53.4 | 32.6 | 20.8 | 16.5 | 25.2 | 5.9 | 8.5 | 11.2 | 5.9 | 3.0 | 11.7 | 6.3 | 3.1 | 2.8 | 6.3 | 3/4" (end conn.) | 1281 | 2659 |

Note: Not Certified dimensional data. AutoCAD drawings available on request.
PNX, where X is yoke option, (S)=Symmetrical, (D)=Demi-Canted, (C)=Canted

PN-DIM-1

Dimensional Table for Paladon PNX-16-XXX Series



| Actuator Model | Dimensions in Inches | | | | | | | | | | | | | | | X NPT x 2 | Weight (lbs) | Swept Volume (cu.in.) |
|----------------------|----------------------|------|------|------|------|-----|------|------|------|-----|------|-----|-----|-----|-----|------------------|--------------|-----------------------|
| | A | B | C | DS | DC | I | J | K | L | M | N | T | U | V | W | | | |
| PNX-16-615-DA | 38.6 | 12.1 | 26.5 | N/A | 14.1 | 9.6 | 11.2 | 14.0 | 7.5 | 3.9 | 18.4 | 7.5 | 3.6 | 2.8 | 7.6 | 1/2" (end conn.) | 445 | 1075 |
| PNX-16-804-DA | 38.6 | 12.1 | 26.5 | N/A | 15.8 | 9.6 | 11.2 | 14.0 | 7.5 | 3.9 | 18.4 | 7.5 | 3.6 | 2.8 | 7.6 | 1/2" (end conn.) | 478 | 1404 |
| PNX-16-1590-DA | 39.7 | 12.1 | 27.6 | N/A | 21.0 | 9.6 | 11.2 | 14.0 | 7.5 | 3.9 | 18.4 | 7.5 | 3.6 | 2.8 | 7.6 | 3/4" (end conn.) | 789 | 2776 |
| PNX-16-2290-DA | 41.8 | 12.1 | 29.8 | N/A | 25.2 | 9.6 | 11.2 | 14.0 | 11.0 | 3.9 | 18.4 | 7.5 | 3.6 | 2.8 | 7.6 | 3/4" (end conn.) | 1032 | 3997 |
| PNX-16-615-SRC1G | 62.6 | 36.1 | 26.5 | 11.8 | 14.1 | 9.6 | 11.2 | 14.0 | 7.5 | 3.9 | 18.4 | 7.5 | 3.6 | 2.8 | 7.6 | 1/2" (end conn.) | 635 | 1075 |
| PNX-16-615-SRC2G | 65.9 | 39.4 | 26.5 | 13.8 | 14.1 | 9.6 | 11.2 | 14.0 | 7.5 | 3.9 | 18.4 | 7.5 | 3.6 | 2.8 | 7.6 | 1/2" (end conn.) | 747 | 1075 |
| PNX-16-615-SRC3G (E) | 77.7 | 51.2 | 26.5 | 16.5 | 14.1 | 9.6 | 11.2 | 14.0 | 7.5 | 3.9 | 18.4 | 7.5 | 3.6 | 2.8 | 7.6 | 1/2" (end conn.) | 1199 | 1075 |
| PNX-16-615-SRC3G (H) | 93.3 | 66.7 | 26.5 | 13.5 | 14.1 | 9.6 | 11.2 | 14.0 | 7.5 | 3.9 | 18.4 | 7.5 | 3.6 | 2.8 | 7.6 | 1/2" (end conn.) | 1160 | 1075 |
| PNX-16-615-SRC4G (E) | 65.1 | 38.6 | 26.5 | 16.5 | 14.1 | 9.6 | 11.2 | 14.0 | 7.5 | 3.9 | 18.4 | 7.5 | 3.6 | 2.8 | 7.6 | 1/2" (end conn.) | 891 | 1075 |
| PNX-16-615-SRC4G (H) | 74.8 | 48.2 | 26.5 | 13.5 | 14.1 | 9.6 | 11.2 | 14.0 | 7.5 | 3.9 | 18.4 | 7.5 | 3.6 | 2.8 | 7.6 | 1/2" (end conn.) | 911 | 1075 |
| PNX-16-615-SRC5G | 77.7 | 51.2 | 26.5 | 20.0 | 14.1 | 9.6 | 11.2 | 14.0 | 7.5 | 3.9 | 18.4 | 7.5 | 3.6 | 2.8 | 7.6 | 1/2" (end conn.) | 941 | 1075 |
| PNX-16-804-SRC1G | 62.6 | 36.1 | 26.5 | 11.8 | 15.8 | 9.6 | 11.2 | 14.0 | 7.5 | 3.9 | 18.4 | 7.5 | 3.6 | 2.8 | 7.6 | 1/2" (end conn.) | 668 | 1404 |
| PNX-16-804-SRC2G | 65.9 | 39.4 | 26.5 | 13.8 | 15.8 | 9.6 | 11.2 | 14.0 | 7.5 | 3.9 | 18.4 | 7.5 | 3.6 | 2.8 | 7.6 | 1/2" (end conn.) | 780 | 1404 |
| PNX-16-804-SRC3G (E) | 77.7 | 51.2 | 26.5 | 16.5 | 15.8 | 9.6 | 11.2 | 14.0 | 7.5 | 3.9 | 18.4 | 7.5 | 3.6 | 2.8 | 7.6 | 1/2" (end conn.) | 1232 | 1404 |
| PNX-16-804-SRC3G (H) | 93.3 | 66.7 | 26.5 | 13.5 | 15.8 | 9.6 | 11.2 | 14.0 | 7.5 | 3.9 | 18.4 | 7.5 | 3.6 | 2.8 | 7.6 | 1/2" (end conn.) | 1193 | 1404 |
| PNX-16-804-SRC4G (E) | 65.1 | 38.6 | 26.5 | 16.5 | 15.8 | 9.6 | 11.2 | 14.0 | 7.5 | 3.9 | 18.4 | 7.5 | 3.6 | 2.8 | 7.6 | 1/2" (end conn.) | 926 | 1404 |
| PNX-16-804-SRC4G (H) | 74.8 | 48.2 | 26.5 | 13.5 | 15.8 | 9.6 | 11.2 | 14.0 | 7.5 | 3.9 | 18.4 | 7.5 | 3.6 | 2.8 | 7.6 | 1/2" (end conn.) | 946 | 1404 |
| PNX-16-804-SRC5G | 77.7 | 51.2 | 26.5 | 20.0 | 15.8 | 9.6 | 11.2 | 14.0 | 7.5 | 3.9 | 18.4 | 7.5 | 3.6 | 2.8 | 7.6 | 1/2" (end conn.) | 974 | 1404 |

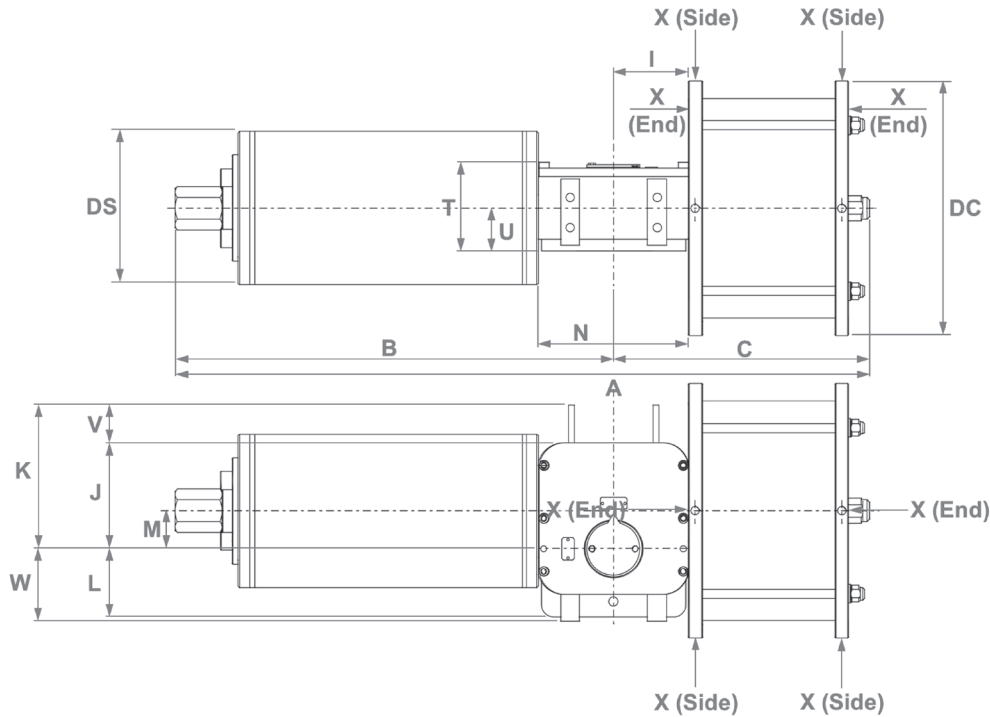
Dimensional Table for Paladon PNX-16-XXX Series (Continued)

| Actuator Model | Dimensions in Inches | | | | | | | | | | | | | | X NPT x 2 | Weight (lbs) | Swept Volume (cu.in.) | |
|-----------------------|----------------------|------|------|------|------|-----|------|------|-----|-----|------|-----|-----|-----|-----------|------------------|-----------------------|------|
| | A | B | C | DS | DC | I | J | K | L | M | N | T | U | V | | | | W |
| PNX-16-1590-SRC1G | 63.7 | 36.1 | 27.6 | 11.8 | 21.0 | 9.6 | 11.2 | 14.0 | 7.5 | 3.9 | 18.4 | 7.5 | 3.6 | 2.8 | 7.6 | 3/4" (end conn.) | 977 | 2776 |
| PNX-16-1590-SRC2G | 67.0 | 39.4 | 27.6 | 13.8 | 21.0 | 9.6 | 11.2 | 14.0 | 7.5 | 3.9 | 18.4 | 7.5 | 3.6 | 2.8 | 7.6 | 3/4" (end conn.) | 1089 | 2776 |
| PNX-16-1590-SRC3G (E) | 78.8 | 51.2 | 27.6 | 16.5 | 21.0 | 9.6 | 11.2 | 14.0 | 7.5 | 3.9 | 18.4 | 7.5 | 3.6 | 2.8 | 7.6 | 3/4" (end conn.) | 1541 | 2776 |
| PNX-16-1590-SRC3G (H) | 94.3 | 66.7 | 27.6 | 13.5 | 21.0 | 9.6 | 11.2 | 14.0 | 7.5 | 3.9 | 18.4 | 7.5 | 3.6 | 2.8 | 7.6 | 3/4" (end conn.) | 1501 | 2776 |
| PNX-16-1590-SRC4G (E) | 66.2 | 38.6 | 27.6 | 16.5 | 21.0 | 9.6 | 11.2 | 14.0 | 7.5 | 3.9 | 18.4 | 7.5 | 3.6 | 2.8 | 7.6 | 3/4" (end conn.) | 1235 | 2776 |
| PNX-16-1590-SRC4G (H) | 75.8 | 48.2 | 27.6 | 13.5 | 21.0 | 9.6 | 11.2 | 14.0 | 7.5 | 3.9 | 18.4 | 7.5 | 3.6 | 2.8 | 7.6 | 3/4" (end conn.) | 1254 | 2776 |
| PNX-16-1590-SRC5G | 78.8 | 51.2 | 27.6 | 20.0 | 21.0 | 9.6 | 11.2 | 14.0 | 7.5 | 3.9 | 18.4 | 7.5 | 3.6 | 2.8 | 7.6 | 3/4" (end conn.) | 1283 | 2776 |
| PNX-16-2290-SRC1G | 65.8 | 36.1 | 29.8 | 11.8 | 25.2 | 9.6 | 11.2 | 14.0 | 7.5 | 3.9 | 18.4 | 7.5 | 3.6 | 2.8 | 7.6 | 3/4" (end conn.) | 1221 | 3997 |
| PNX-16-2290-SRC2G | 69.1 | 39.4 | 29.8 | 13.8 | 25.2 | 9.6 | 11.2 | 14.0 | 7.5 | 3.9 | 18.4 | 7.5 | 3.6 | 2.8 | 7.6 | 3/4" (end conn.) | 1334 | 3997 |
| PNX-16-2290-SRC3G (E) | 81.0 | 51.2 | 29.8 | 16.5 | 25.2 | 9.6 | 11.2 | 14.0 | 7.5 | 3.9 | 18.4 | 7.5 | 3.6 | 2.8 | 7.6 | 3/4" (end conn.) | 1786 | 3997 |
| PNX-16-2290-SRC3G (H) | 96.5 | 66.7 | 29.8 | 13.5 | 25.2 | 9.6 | 11.2 | 14.0 | 7.5 | 3.9 | 18.4 | 7.5 | 3.6 | 2.8 | 7.6 | 3/4" (end conn.) | 1746 | 3997 |
| PNX-16-2290-SRC4G (E) | 68.3 | 38.6 | 29.8 | 16.5 | 25.2 | 9.6 | 11.2 | 14.0 | 7.5 | 3.9 | 18.4 | 7.5 | 3.6 | 2.8 | 7.6 | 3/4" (end conn.) | 1477 | 3997 |
| PNX-16-2290-SRC4G (H) | 78.0 | 48.2 | 29.8 | 13.5 | 25.2 | 9.6 | 11.2 | 14.0 | 7.5 | 3.9 | 18.4 | 7.5 | 3.6 | 2.8 | 7.6 | 3/4" (end conn.) | 1497 | 3997 |
| PNX-16-2290-SRC5G | 81.0 | 51.2 | 29.8 | 20.0 | 25.2 | 9.6 | 11.2 | 14.0 | 7.5 | 3.9 | 18.4 | 7.5 | 3.6 | 2.8 | 7.6 | 3/4" (end conn.) | 1528 | 3997 |

Note: Not Certified dimensional data. AutoCAD drawings available on request.
PNX, where X is yoke option, (S)=Symmetrical, (D)=Demi-Canted, (C)=Canted

PN-DIM-1

Dimensional Table for Paladon PNX-31-XXX Series



| Actuator Model | Dimensions in Inches | | | | | | | | | | | | | | | X NPT x 2 | Weight (lbs) | Swept Volume (cu.in.) |
|-----------------------|----------------------|------|------|------|------|------|------|------|------|-----|------|-----|-----|-----|-----|------------------|--------------|-----------------------|
| | A | B | C | DS | DC | I | J | K | L | M | N | T | U | V | W | | | |
| PNX-31-1590-DA | 57.6 | 18.7 | 39.0 | N/A | 21.0 | 13.9 | 15.2 | 19.9 | 8.9 | 6.3 | 27.4 | 9.5 | 4.7 | 4.7 | 9.1 | 3/4" (end conn.) | 1197 | 4078 |
| PNX-31-2290-DA | 58.0 | 18.7 | 39.4 | N/A | 25.2 | 13.9 | 15.2 | 19.9 | 8.9 | 6.3 | 27.4 | 9.5 | 4.7 | 4.7 | 9.1 | 3/4" (end conn.) | 1429 | 5873 |
| PNX-31-3216-DA | 59.7 | 18.7 | 41.0 | N/A | 29.3 | 13.9 | 15.2 | 19.9 | 8.9 | 6.3 | 27.4 | 9.5 | 4.7 | 4.7 | 9.1 | 1" (end conn.) | 1865 | 8249 |
| PNX-31-4300-DA | 60.1 | 18.7 | 41.4 | N/A | 33.6 | 13.9 | 15.2 | 19.9 | 11.0 | 6.3 | 27.4 | 9.5 | 4.7 | 4.7 | 9.1 | 1" (end conn.) | 2538 | 11028 |
| PNX-31-1590-SRC1H | 98.0 | 59.1 | 39.0 | 16.5 | 21.0 | 13.9 | 15.2 | 19.9 | 8.9 | 6.3 | 27.4 | 9.5 | 4.7 | 4.7 | 9.1 | 3/4" (end conn.) | 1989 | 4078 |
| PNX-31-1590-SRC2H (E) | 98.0 | 59.0 | 39.0 | 16.5 | 21.0 | 13.9 | 15.2 | 19.9 | 8.9 | 6.3 | 27.4 | 9.5 | 4.7 | 4.7 | 9.1 | 3/4" (end conn.) | 2064 | 4078 |
| PNX-31-1590-SRC2H (H) | 118.1 | 79.1 | 39.0 | 13.5 | 21.0 | 13.9 | 15.2 | 19.9 | 8.9 | 6.3 | 27.4 | 9.5 | 4.7 | 4.7 | 9.1 | 3/4" (end conn.) | 1989 | 4078 |
| PNX-31-1590-SRC3H (E) | 108.0 | 69.0 | 39.0 | 20.0 | 21.0 | 13.9 | 15.2 | 19.9 | 8.9 | 6.3 | 27.4 | 9.5 | 4.7 | 4.7 | 9.1 | 3/4" (end conn.) | 2683 | 4078 |
| PNX-31-1590-SRC3H (H) | 113.8 | 74.8 | 39.0 | 13.5 | 21.0 | 13.9 | 15.2 | 19.9 | 8.9 | 6.3 | 27.4 | 9.5 | 4.7 | 4.7 | 9.1 | 3/4" (end conn.) | 1969 | 4078 |
| PNX-31-1590-SRC4H (E) | 107.4 | 68.4 | 39.0 | 18.0 | 21.0 | 13.9 | 15.2 | 19.9 | 8.9 | 6.3 | 27.4 | 9.5 | 4.7 | 4.7 | 9.1 | 3/4" (end conn.) | 2187 | 4078 |
| PNX-31-1590-SRC4H (H) | 124.2 | 85.2 | 39.0 | 15.0 | 21.0 | 13.9 | 15.2 | 19.9 | 8.9 | 6.3 | 27.4 | 9.5 | 4.7 | 4.7 | 9.1 | 3/4" (end conn.) | 2266 | 4078 |
| PNX-31-1590-SRC5H | 121.7 | 82.7 | 39.0 | 20.0 | 21.0 | 13.9 | 15.2 | 19.9 | 8.9 | 6.3 | 27.4 | 9.5 | 4.7 | 4.7 | 9.1 | 3/4" (end conn.) | 3157 | 4078 |
| PNX-31-1590-SRC6H | 128.6 | 89.6 | 39.0 | 20.0 | 21.0 | 13.9 | 15.2 | 19.9 | 8.9 | 6.3 | 27.4 | 9.5 | 4.7 | 4.7 | 9.1 | 3/4" (end conn.) | 3375 | 4078 |
| PNX-31-1590-SRC7H | 133.5 | 94.5 | 39.0 | 20.0 | 21.0 | 13.9 | 15.2 | 19.9 | 8.9 | 6.3 | 27.4 | 9.5 | 4.7 | 4.7 | 9.1 | 3/4" (end conn.) | 3574 | 4078 |
| PNX-31-2290-SRC1H | 98.4 | 59.1 | 39.4 | 16.5 | 25.2 | 13.9 | 15.2 | 19.9 | 8.9 | 6.3 | 27.4 | 9.5 | 4.7 | 4.7 | 9.1 | 3/4" (end conn.) | 2220 | 5873 |
| PNX-31-2290-SRC2H (E) | 98.4 | 59.0 | 39.4 | 16.5 | 25.2 | 13.9 | 15.2 | 19.9 | 8.9 | 6.3 | 27.4 | 9.5 | 4.7 | 4.7 | 9.1 | 3/4" (end conn.) | 2295 | 5873 |
| PNX-31-2290-SRC2H (H) | 118.5 | 79.1 | 39.4 | 13.5 | 25.2 | 13.9 | 15.2 | 19.9 | 8.9 | 6.3 | 27.4 | 9.5 | 4.7 | 4.7 | 9.1 | 3/4" (end conn.) | 2220 | 5873 |
| PNX-31-2290-SRC3H (E) | 108.4 | 69.0 | 39.4 | 20.0 | 25.2 | 13.9 | 15.2 | 19.9 | 8.9 | 6.3 | 27.4 | 9.5 | 4.7 | 4.7 | 9.1 | 3/4" (end conn.) | 2915 | 5873 |

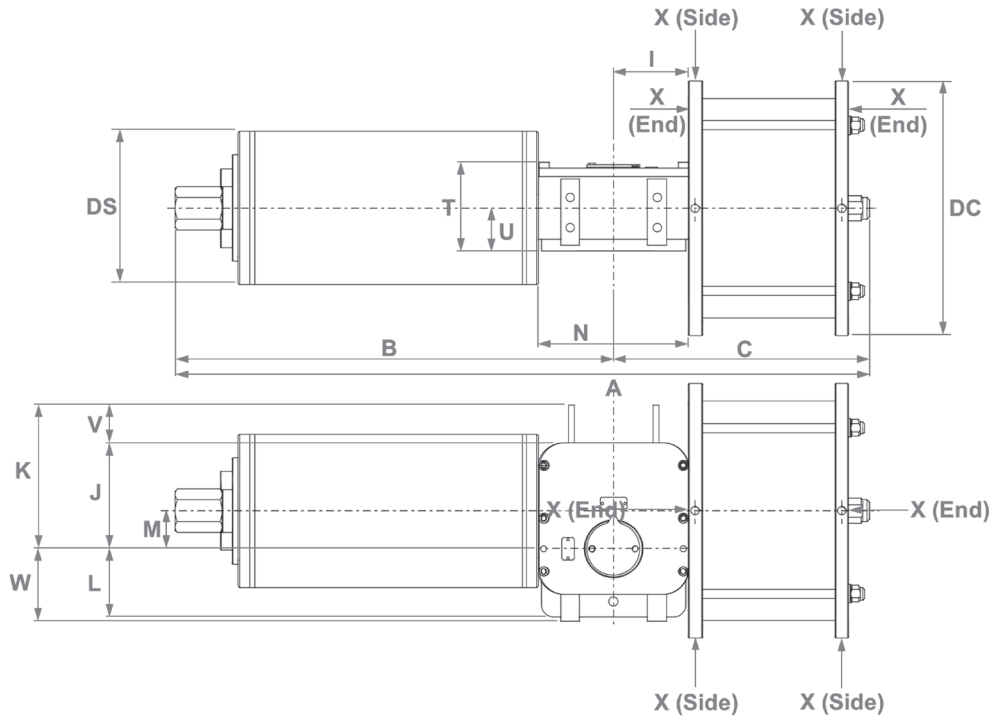
Dimensional Table for Paladon PNX-31-XXX Series (Continued)

| Actuator Model | Dimensions in Inches | | | | | | | | | | | | | | | X NPT x 2 | Weight (lbs) | Swept Volume (cu.in.) |
|-----------------------|----------------------|------|------|------|------|------|------|------|-----|-----|------|-----|-----|-----|-----|------------------|--------------|-----------------------|
| | A | B | C | DS | DC | I | J | K | L | M | N | T | U | V | W | | | |
| PNX-31-2290-SRC3H (H) | 114.2 | 74.8 | 39.4 | 13.5 | 25.2 | 13.9 | 15.2 | 19.9 | 8.9 | 6.3 | 27.4 | 9.5 | 4.7 | 4.7 | 9.1 | 3/4" (end conn.) | 2200 | 5873 |
| PNX-31-2290-SRC4H (E) | 107.8 | 68.4 | 39.4 | 18.0 | 25.2 | 13.9 | 15.2 | 19.9 | 8.9 | 6.3 | 27.4 | 9.5 | 4.7 | 4.7 | 9.1 | 3/4" (end conn.) | 2418 | 5873 |
| PNX-31-2290-SRC4H (H) | 124.6 | 85.2 | 39.4 | 15.0 | 25.2 | 13.9 | 15.2 | 19.9 | 8.9 | 6.3 | 27.4 | 9.5 | 4.7 | 4.7 | 9.1 | 3/4" (end conn.) | 2498 | 5873 |
| PNX-31-2290-SRC5H | 122.1 | 82.7 | 39.4 | 20.0 | 25.2 | 13.9 | 15.2 | 19.9 | 8.9 | 6.3 | 27.4 | 9.5 | 4.7 | 4.7 | 9.1 | 3/4" (end conn.) | 3389 | 5873 |
| PNX-31-2290-SRC6H | 129.0 | 89.6 | 39.4 | 20.0 | 25.2 | 13.9 | 15.2 | 19.9 | 8.9 | 6.3 | 27.4 | 9.5 | 4.7 | 4.7 | 9.1 | 3/4" (end conn.) | 3607 | 5873 |
| PNX-31-2290-SRC7H | 133.9 | 94.5 | 39.4 | 20.0 | 25.2 | 13.9 | 15.2 | 19.9 | 8.9 | 6.3 | 27.4 | 9.5 | 4.7 | 4.7 | 9.1 | 3/4" (end conn.) | 3805 | 5873 |
| PNX-31-3216-SRC1H | 100.1 | 59.1 | 41.0 | 16.5 | 29.3 | 13.9 | 15.2 | 19.9 | 8.9 | 6.3 | 27.4 | 9.5 | 4.7 | 4.7 | 9.1 | 1" (end conn.) | 2657 | 8249 |
| PNX-31-3216-SRC2H (E) | 100.0 | 59.0 | 41.0 | 16.5 | 29.3 | 13.9 | 15.2 | 19.9 | 8.9 | 6.3 | 27.4 | 9.5 | 4.7 | 4.7 | 9.1 | 1" (end conn.) | 2732 | 8249 |
| PNX-31-3216-SRC2H (H) | 120.2 | 79.1 | 41.0 | 13.5 | 29.3 | 13.9 | 15.2 | 19.9 | 8.9 | 6.3 | 27.4 | 9.5 | 4.7 | 4.7 | 9.1 | 1" (end conn.) | 2657 | 8249 |
| PNX-31-3216-SRC3H (E) | 110.0 | 69.0 | 41.0 | 20.0 | 29.3 | 13.9 | 15.2 | 19.9 | 8.9 | 6.3 | 27.4 | 9.5 | 4.7 | 4.7 | 9.1 | 1" (end conn.) | 3349 | 8249 |
| PNX-31-3216-SRC3H (H) | 115.8 | 74.8 | 41.0 | 13.5 | 29.3 | 13.9 | 15.2 | 19.9 | 8.9 | 6.3 | 27.4 | 9.5 | 4.7 | 4.7 | 9.1 | 1" (end conn.) | 2637 | 8249 |
| PNX-31-3216-SRC4H (E) | 109.4 | 68.4 | 41.0 | 18.0 | 29.3 | 13.9 | 15.2 | 19.9 | 8.9 | 6.3 | 27.4 | 9.5 | 4.7 | 4.7 | 9.1 | 1" (end conn.) | 2855 | 8249 |
| PNX-31-3216-SRC4H (H) | 126.3 | 85.2 | 41.0 | 15.0 | 29.3 | 13.9 | 15.2 | 19.9 | 8.9 | 6.3 | 27.4 | 9.5 | 4.7 | 4.7 | 9.1 | 1" (end conn.) | 2934 | 8249 |
| PNX-31-3216-SRC5H | 123.7 | 82.7 | 41.0 | 20.0 | 29.3 | 13.9 | 15.2 | 19.9 | 8.9 | 6.3 | 27.4 | 9.5 | 4.7 | 4.7 | 9.1 | 1" (end conn.) | 3825 | 8249 |
| PNX-31-3216-SRC6H | 130.6 | 89.6 | 41.0 | 20.0 | 29.3 | 13.9 | 15.2 | 19.9 | 8.9 | 6.3 | 27.4 | 9.5 | 4.7 | 4.7 | 9.1 | 1" (end conn.) | 4043 | 8249 |
| PNX-31-3216-SRC7H | 135.5 | 94.5 | 41.0 | 20.0 | 29.3 | 13.9 | 15.2 | 19.9 | 8.9 | 6.3 | 27.4 | 9.5 | 4.7 | 4.7 | 9.1 | 1" (end conn.) | 4242 | 8249 |
| PNX-31-4300-SRC1H | 100.5 | 59.1 | 41.4 | 16.5 | 33.6 | 13.9 | 15.2 | 19.9 | 8.9 | 6.3 | 27.4 | 9.5 | 4.7 | 4.7 | 9.1 | 1" (end conn.) | 3329 | 11028 |
| PNX-31-4300-SRC2H (E) | 100.4 | 59.0 | 41.4 | 16.5 | 33.6 | 13.9 | 15.2 | 19.9 | 8.9 | 6.3 | 27.4 | 9.5 | 4.7 | 4.7 | 9.1 | 1" (end conn.) | 3406 | 11028 |
| PNX-31-4300-SRC2H (H) | 120.6 | 79.1 | 41.4 | 13.5 | 33.6 | 13.9 | 15.2 | 19.9 | 8.9 | 6.3 | 27.4 | 9.5 | 4.7 | 4.7 | 9.1 | 1" (end conn.) | 3329 | 11028 |
| PNX-31-4300-SRC3H (E) | 110.4 | 69.0 | 41.4 | 20.0 | 33.6 | 13.9 | 15.2 | 19.9 | 8.9 | 6.3 | 27.4 | 9.5 | 4.7 | 4.7 | 9.1 | 1" (end conn.) | 4023 | 11028 |
| PNX-31-4300-SRC3H (H) | 116.2 | 74.8 | 41.4 | 13.5 | 33.6 | 13.9 | 15.2 | 19.9 | 8.9 | 6.3 | 27.4 | 9.5 | 4.7 | 4.7 | 9.1 | 1" (end conn.) | 3309 | 11028 |
| PNX-31-4300-SRC4H (E) | 109.8 | 68.4 | 41.4 | 18.0 | 33.6 | 13.9 | 15.2 | 19.9 | 8.9 | 6.3 | 27.4 | 9.5 | 4.7 | 4.7 | 9.1 | 1" (end conn.) | 3527 | 11028 |
| PNX-31-4300-SRC4H (H) | 126.7 | 85.2 | 41.4 | 15.0 | 33.6 | 13.9 | 15.2 | 19.9 | 8.9 | 6.3 | 27.4 | 9.5 | 4.7 | 4.7 | 9.1 | 1" (end conn.) | 3607 | 11028 |
| PNX-31-4300-SRC5H | 124.1 | 82.7 | 41.4 | 20.0 | 33.6 | 13.9 | 15.2 | 19.9 | 8.9 | 6.3 | 27.4 | 9.5 | 4.7 | 4.7 | 9.1 | 1" (end conn.) | 4500 | 11028 |
| PNX-31-4300-SRC6H | 131.0 | 89.6 | 41.4 | 20.0 | 33.6 | 13.9 | 15.2 | 19.9 | 8.9 | 6.3 | 27.4 | 9.5 | 4.7 | 4.7 | 9.1 | 1" (end conn.) | 4716 | 11028 |
| PNX-31-4300-SRC7H | 135.9 | 94.5 | 41.4 | 20.0 | 33.6 | 13.9 | 15.2 | 19.9 | 8.9 | 6.3 | 27.4 | 9.5 | 4.7 | 4.7 | 9.1 | 1" (end conn.) | 4914 | 11028 |

Note: Not Certified dimensional data. AutoCAD drawings available on request.
PNX, where X is yoke option, (S)=Symmetrical, (D)=Demi-Canted, (C)=Canted

PN-DIM-1

Dimensional Table for Paladon PNX-118-XXX Series



| Actuator Model | Dimensions in Inches | | | | | | | | | | | | | | | X NPT x 2 | Weight (lbs) | Swept Volume (cu.in.) |
|------------------------|----------------------|-------|------|------|------|------|------|------|------|-----|------|------|-----|-----|------|------------------|--------------|-----------------------|
| | A | B | C | DS | DC | I | J | K | L | M | N | T | U | V | W | | | |
| PNX-118-1590-DA | 70.5 | 24.7 | 45.8 | N/A | 21.0 | 16.9 | 18.3 | 23.0 | 11.0 | 7.9 | 33.3 | 12.8 | 6.3 | 4.7 | 11.2 | 3/4" (end conn.) | 1859 | 5124 |
| PNX-118-2290-DA | 70.7 | 24.7 | 46.0 | N/A | 25.2 | 16.9 | 18.3 | 23.0 | 11.0 | 7.9 | 33.3 | 12.8 | 6.3 | 4.7 | 11.2 | 3/4" (end conn.) | 2112 | 7379 |
| PNX-118-3216-DA | 72.0 | 24.7 | 47.3 | N/A | 29.3 | 16.9 | 18.3 | 23.0 | 11.0 | 7.9 | 33.3 | 12.8 | 6.3 | 4.7 | 11.2 | 1" (end conn.) | 2553 | 10366 |
| PNX-118-4300-DA | 72.4 | 24.7 | 47.7 | N/A | 33.6 | 16.9 | 18.3 | 23.0 | 11.0 | 7.9 | 33.3 | 12.8 | 6.3 | 4.7 | 11.2 | 1" (end conn.) | 3250 | 13857 |
| PNX-118-5541-DA | 76.4 | 24.7 | 51.7 | N/A | 38.3 | 16.9 | 18.3 | 23.0 | 11.0 | 7.9 | 33.3 | 12.8 | 6.3 | 4.7 | 11.2 | 1" (end conn.) | 3971 | 17856 |
| PNX-118-1590-SRC1K (E) | 120.3 | 74.5 | 45.8 | 20.0 | 21.0 | 16.9 | 18.3 | 23.0 | 11.0 | 7.9 | 33.3 | 12.8 | 6.3 | 4.7 | 11.2 | 3/4" (end conn.) | 3384 | 5124 |
| PNX-118-1590-SRC1K (H) | 126.5 | 80.7 | 45.8 | 13.5 | 21.0 | 16.9 | 18.3 | 23.0 | 11.0 | 7.9 | 33.3 | 12.8 | 6.3 | 4.7 | 11.2 | 3/4" (end conn.) | 2650 | 5124 |
| PNX-118-1590-SRC2K (E) | 119.6 | 73.8 | 45.8 | 18.0 | 21.0 | 16.9 | 18.3 | 23.0 | 11.0 | 7.9 | 33.3 | 12.8 | 6.3 | 4.7 | 11.2 | 3/4" (end conn.) | 2868 | 5124 |
| PNX-118-1590-SRC2K (H) | 137.7 | 91.9 | 45.8 | 15.0 | 21.0 | 16.9 | 18.3 | 23.0 | 11.0 | 7.9 | 33.3 | 12.8 | 6.3 | 4.7 | 11.2 | 3/4" (end conn.) | 2948 | 5124 |
| PNX-118-1590-SRC3D | 141.5 | 95.7 | 45.8 | 20.0 | 21.0 | 16.9 | 18.3 | 23.0 | 11.0 | 7.9 | 33.3 | 12.8 | 6.3 | 4.7 | 11.2 | 3/4" (end conn.) | 3818 | 5124 |
| PNX-118-1590-SRC3K (E) | 142.8 | 97.1 | 45.8 | 20.0 | 21.0 | 16.9 | 18.3 | 23.0 | 11.0 | 7.9 | 33.3 | 12.8 | 6.3 | 4.7 | 11.2 | 3/4" (end conn.) | 3829 | 5124 |
| PNX-118-1590-SRC3K (H) | 137.9 | 92.1 | 45.8 | 20.0 | 21.0 | 16.9 | 18.3 | 23.0 | 11.0 | 7.9 | 33.3 | 12.8 | 6.3 | 4.7 | 11.2 | 3/4" (end conn.) | 4037 | 5124 |
| PNX-118-1590-SRC4K | 137.6 | 91.9 | 45.8 | 22.0 | 21.0 | 16.9 | 18.3 | 23.0 | 11.0 | 7.9 | 33.3 | 12.8 | 6.3 | 4.7 | 11.2 | 3/4" (end conn.) | 3937 | 5124 |
| PNX-118-1590-SRC5K | 138.4 | 92.6 | 45.8 | 24.0 | 21.0 | 16.9 | 18.3 | 23.0 | 11.0 | 7.9 | 33.3 | 12.8 | 6.3 | 4.7 | 11.2 | 3/4" (end conn.) | 4436 | 5124 |
| PNX-118-1590-SRC6K | 150.3 | 104.5 | 45.8 | 24.0 | 21.0 | 16.9 | 18.3 | 23.0 | 11.0 | 7.9 | 33.3 | 12.8 | 6.3 | 4.7 | 11.2 | 3/4" (end conn.) | 4830 | 5124 |
| PNX-118-2290-SRC1K (E) | 120.5 | 74.5 | 46.0 | 20.0 | 25.2 | 16.9 | 18.3 | 23.0 | 11.0 | 7.9 | 33.3 | 12.8 | 6.3 | 4.7 | 11.2 | 3/4" (end conn.) | 3638 | 7379 |
| PNX-118-2290-SRC1K (H) | 126.7 | 80.7 | 46.0 | 13.5 | 25.2 | 16.9 | 18.3 | 23.0 | 11.0 | 7.9 | 33.3 | 12.8 | 6.3 | 4.7 | 11.2 | 3/4" (end conn.) | 2903 | 7379 |
| PNX-118-2290-SRC2K (E) | 119.8 | 73.8 | 46.0 | 18.0 | 25.2 | 16.9 | 18.3 | 23.0 | 11.0 | 7.9 | 33.3 | 12.8 | 6.3 | 4.7 | 11.2 | 3/4" (end conn.) | 3122 | 7379 |

Dimensional Table for Paladon PNX-118-XXX Series (Continued)

| Actuator Model | Dimensions in Inches | | | | | | | | | | | | | | | X NPT x 2 | Weight (lbs) | Swept Volume (cu.in.) |
|------------------------|----------------------|-------|------|------|------|------|------|------|------|-----|------|------|-----|-----|------|------------------|--------------|-----------------------|
| | A | B | C | DS | DC | I | J | K | L | M | N | T | U | V | W | | | |
| PNX-118-2290-SRC2K (H) | 137.9 | 91.9 | 46.0 | 15.0 | 25.2 | 16.9 | 18.3 | 23.0 | 11.0 | 7.9 | 33.3 | 12.8 | 6.3 | 4.7 | 11.2 | 3/4" (end conn.) | 3201 | 7379 |
| PNX-118-2290-SRC3D | 141.7 | 95.7 | 46.0 | 20.0 | 25.2 | 16.9 | 18.3 | 23.0 | 11.0 | 7.9 | 33.3 | 12.8 | 6.3 | 4.7 | 11.2 | 3/4" (end conn.) | 4072 | 7379 |
| PNX-118-2290-SRC3K (E) | 143.0 | 97.1 | 46.0 | 20.0 | 25.2 | 16.9 | 18.3 | 23.0 | 11.0 | 7.9 | 33.3 | 12.8 | 6.3 | 4.7 | 11.2 | 3/4" (end conn.) | 4083 | 7379 |
| PNX-118-2290-SRC3K (H) | 138.1 | 92.1 | 46.0 | 20.0 | 25.2 | 16.9 | 18.3 | 23.0 | 11.0 | 7.9 | 33.3 | 12.8 | 6.3 | 4.7 | 11.2 | 3/4" (end conn.) | 4290 | 7379 |
| PNX-118-2290-SRC4K | 137.8 | 91.9 | 46.0 | 22.0 | 25.2 | 16.9 | 18.3 | 23.0 | 11.0 | 7.9 | 33.3 | 12.8 | 6.3 | 4.7 | 11.2 | 3/4" (end conn.) | 4191 | 7379 |
| PNX-118-2290-SRC5K | 138.6 | 92.6 | 46.0 | 24.0 | 25.2 | 16.9 | 18.3 | 23.0 | 11.0 | 7.9 | 33.3 | 12.8 | 6.3 | 4.7 | 11.2 | 3/4" (end conn.) | 4689 | 7379 |
| PNX-118-2290-SRC6K | 150.5 | 104.5 | 46.0 | 24.0 | 25.2 | 16.9 | 18.3 | 23.0 | 11.0 | 7.9 | 33.3 | 12.8 | 6.3 | 4.7 | 11.2 | 3/4" (end conn.) | 5084 | 7379 |
| PNX-118-3216-SRC1K (E) | 121.8 | 74.5 | 47.3 | 20.0 | 29.3 | 16.9 | 18.3 | 23.0 | 11.0 | 7.9 | 33.3 | 12.8 | 6.3 | 4.7 | 11.2 | 1" (end conn.) | 4079 | 10366 |
| PNX-118-3216-SRC1K (H) | 128.0 | 80.7 | 47.3 | 13.5 | 29.3 | 16.9 | 18.3 | 23.0 | 11.0 | 7.9 | 33.3 | 12.8 | 6.3 | 4.7 | 11.2 | 1" (end conn.) | 3347 | 10366 |
| PNX-118-3216-SRC2K (E) | 121.1 | 73.8 | 47.3 | 18.0 | 29.3 | 16.9 | 18.3 | 23.0 | 11.0 | 7.9 | 33.3 | 12.8 | 6.3 | 4.7 | 11.2 | 1" (end conn.) | 3563 | 10366 |
| PNX-118-3216-SRC2K (H) | 139.2 | 91.9 | 47.3 | 15.0 | 29.3 | 16.9 | 18.3 | 23.0 | 11.0 | 7.9 | 33.3 | 12.8 | 6.3 | 4.7 | 11.2 | 1" (end conn.) | 3642 | 10366 |
| PNX-118-3216-SRC3D | 143.0 | 95.7 | 47.3 | 20.0 | 29.3 | 16.9 | 18.3 | 23.0 | 11.0 | 7.9 | 33.3 | 12.8 | 6.3 | 4.7 | 11.2 | 1" (end conn.) | 4515 | 10366 |
| PNX-118-3216-SRC3K (E) | 144.3 | 97.1 | 47.3 | 20.0 | 29.3 | 16.9 | 18.3 | 23.0 | 11.0 | 7.9 | 33.3 | 12.8 | 6.3 | 4.7 | 11.2 | 1" (end conn.) | 4524 | 10366 |
| PNX-118-3216-SRC3K (H) | 139.4 | 92.1 | 47.3 | 20.0 | 29.3 | 16.9 | 18.3 | 23.0 | 11.0 | 7.9 | 33.3 | 12.8 | 6.3 | 4.7 | 11.2 | 1" (end conn.) | 4733 | 10366 |
| PNX-118-3216-SRC4K | 139.1 | 91.9 | 47.3 | 22.0 | 29.3 | 16.9 | 18.3 | 23.0 | 11.0 | 7.9 | 33.3 | 12.8 | 6.3 | 4.7 | 11.2 | 1" (end conn.) | 4634 | 10366 |
| PNX-118-3216-SRC5K | 139.9 | 92.6 | 47.3 | 24.0 | 29.3 | 16.9 | 18.3 | 23.0 | 11.0 | 7.9 | 33.3 | 12.8 | 6.3 | 4.7 | 11.2 | 1" (end conn.) | 5130 | 10366 |
| PNX-118-3216-SRC6K | 151.8 | 104.5 | 47.3 | 24.0 | 29.3 | 16.9 | 18.3 | 23.0 | 11.0 | 7.9 | 33.3 | 12.8 | 6.3 | 4.7 | 11.2 | 1" (end conn.) | 5525 | 10366 |
| PNX-118-4300-SRC1K (E) | 122.2 | 74.5 | 47.7 | 20.0 | 33.6 | 16.9 | 18.3 | 23.0 | 11.0 | 7.9 | 33.3 | 12.8 | 6.3 | 4.7 | 11.2 | 1" (end conn.) | 4775 | 13857 |
| PNX-118-4300-SRC1K (H) | 128.4 | 80.7 | 47.7 | 13.5 | 33.6 | 16.9 | 18.3 | 23.0 | 11.0 | 7.9 | 33.3 | 12.8 | 6.3 | 4.7 | 11.2 | 1" (end conn.) | 4041 | 13857 |
| PNX-118-4300-SRC2K (E) | 121.5 | 73.8 | 47.7 | 18.0 | 33.6 | 16.9 | 18.3 | 23.0 | 11.0 | 7.9 | 33.3 | 12.8 | 6.3 | 4.7 | 11.2 | 1" (end conn.) | 4259 | 13857 |
| PNX-118-4300-SRC2K (H) | 139.6 | 91.9 | 47.7 | 15.0 | 33.6 | 16.9 | 18.3 | 23.0 | 11.0 | 7.9 | 33.3 | 12.8 | 6.3 | 4.7 | 11.2 | 1" (end conn.) | 4339 | 13857 |
| PNX-118-4300-SRC3D | 143.4 | 95.7 | 47.7 | 20.0 | 33.6 | 16.9 | 18.3 | 23.0 | 11.0 | 7.9 | 33.3 | 12.8 | 6.3 | 4.7 | 11.2 | 1" (end conn.) | 5210 | 13857 |
| PNX-118-4300-SRC3K (E) | 144.7 | 97.1 | 47.7 | 20.0 | 33.6 | 16.9 | 18.3 | 23.0 | 11.0 | 7.9 | 33.3 | 12.8 | 6.3 | 4.7 | 11.2 | 1" (end conn.) | 5221 | 13857 |
| PNX-118-4300-SRC3K (H) | 139.8 | 92.1 | 47.7 | 20.0 | 33.6 | 16.9 | 18.3 | 23.0 | 11.0 | 7.9 | 33.3 | 12.8 | 6.3 | 4.7 | 11.2 | 1" (end conn.) | 5428 | 13857 |
| PNX-118-4300-SRC4K | 139.5 | 91.9 | 47.7 | 22.0 | 33.6 | 16.9 | 18.3 | 23.0 | 11.0 | 7.9 | 33.3 | 12.8 | 6.3 | 4.7 | 11.2 | 1" (end conn.) | 5329 | 13857 |
| PNX-118-4300-SRC5K | 140.2 | 92.6 | 47.7 | 24.0 | 33.6 | 16.9 | 18.3 | 23.0 | 11.0 | 7.9 | 33.3 | 12.8 | 6.3 | 4.7 | 11.2 | 1" (end conn.) | 5827 | 13857 |
| PNX-118-4300-SRC6K | 152.2 | 104.5 | 47.7 | 24.0 | 33.6 | 16.9 | 18.3 | 23.0 | 11.0 | 7.9 | 33.3 | 12.8 | 6.3 | 4.7 | 11.2 | 1" (end conn.) | 6219 | 13857 |
| PNX-118-5541-SRC1K (E) | 126.2 | 74.5 | 51.7 | 20.0 | 38.3 | 16.9 | 18.3 | 23.0 | 11.0 | 7.9 | 33.3 | 12.8 | 6.3 | 4.7 | 11.2 | 1" (end conn.) | 5496 | 17856 |
| PNX-118-5541-SRC1K (H) | 132.4 | 80.7 | 51.7 | 13.5 | 38.3 | 16.9 | 18.3 | 23.0 | 11.0 | 7.9 | 33.3 | 12.8 | 6.3 | 4.7 | 11.2 | 1" (end conn.) | 4762 | 17856 |
| PNX-118-5541-SRC2K (E) | 125.5 | 73.8 | 51.7 | 18.0 | 38.3 | 16.9 | 18.3 | 23.0 | 11.0 | 7.9 | 33.3 | 12.8 | 6.3 | 4.7 | 11.2 | 1" (end conn.) | 4980 | 17856 |
| PNX-118-5541-SRC2K (H) | 143.6 | 91.9 | 51.7 | 15.0 | 38.3 | 16.9 | 18.3 | 23.0 | 11.0 | 7.9 | 33.3 | 12.8 | 6.3 | 4.7 | 11.2 | 1" (end conn.) | 5060 | 17856 |
| PNX-118-5541-SRC3D | 147.4 | 95.7 | 51.7 | 20.0 | 38.3 | 16.9 | 18.3 | 23.0 | 11.0 | 7.9 | 33.3 | 12.8 | 6.3 | 4.7 | 11.2 | 1" (end conn.) | 5930 | 17856 |
| PNX-118-5541-SRC3K (E) | 148.8 | 97.1 | 51.7 | 20.0 | 38.3 | 16.9 | 18.3 | 23.0 | 11.0 | 7.9 | 33.3 | 12.8 | 6.3 | 4.7 | 11.2 | 1" (end conn.) | 5941 | 17856 |
| PNX-118-5541-SRC3K (H) | 143.8 | 92.1 | 51.7 | 20.0 | 38.3 | 16.9 | 18.3 | 23.0 | 11.0 | 7.9 | 33.3 | 12.8 | 6.3 | 4.7 | 11.2 | 1" (end conn.) | 6149 | 17856 |
| PNX-118-5541-SRC4K | 143.6 | 91.9 | 51.7 | 22.0 | 38.3 | 16.9 | 18.3 | 23.0 | 11.0 | 7.9 | 33.3 | 12.8 | 6.3 | 4.7 | 11.2 | 1" (end conn.) | 6049 | 17856 |
| PNX-118-5541-SRC5K | 144.3 | 92.6 | 51.7 | 24.0 | 38.3 | 16.9 | 18.3 | 23.0 | 11.0 | 7.9 | 33.3 | 12.8 | 6.3 | 4.7 | 11.2 | 1" (end conn.) | 6548 | 17856 |
| PNX-118-5541-SRC6K | 156.2 | 104.5 | 51.7 | 24.0 | 38.3 | 16.9 | 18.3 | 23.0 | 11.0 | 7.9 | 33.3 | 12.8 | 6.3 | 4.7 | 11.2 | 1" (end conn.) | 6942 | 17856 |

Note: Not Certified dimensional data. AutoCAD drawings available on request.
PNX, where X is yoke option, (S)=Symmetrical, (D)=Demi-Canted, (C)=Canted