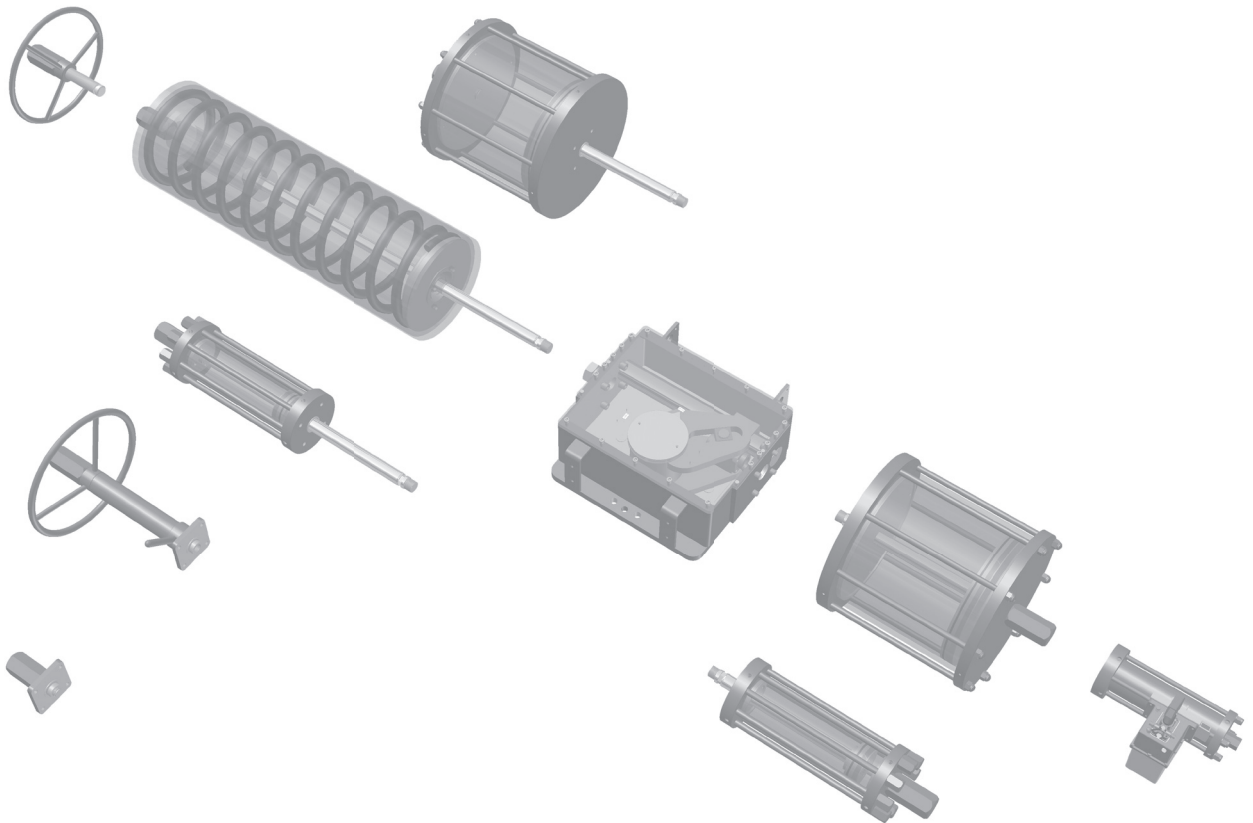


# paladon

## AMERICAS



MODID-1

# Actuator Model Identification

**PN S - 31 - 804 - SRC 1 - ISO 5211 - L - PED G1/100**

• **Certification Required:**

<b>(Blank)</b>	Paladon standard
<b>PED G*/***</b>	PED fluid Group 1 or 2 followed by max allowable working pressure in bar
<b>ATEX G**C*</b>	Atex equipment followed by Group and Category
<b>ASME</b>	pressurised part/s according to ASME (no stamp)
<b>ASMEU</b>	pressurised part/s ASME U stamp

• **Option:**

<b>(Blank)</b>	<i>without</i>
<b>HW</b>	Handwheel (jack screw)
<b>HPHC</b>	Hand Pump with Hydraulic Cylinder for manual override
<b>LS</b>	Low Temp Seals (-49°F to 140°F)
<b>HS</b>	High Temp Seals (-4°F to +284°F)

• **Frame Coupling:**

<b>(Blank)</b>	<i>without</i>
<b>ISO 5211</b>	EN ISO 5211 with 2 dowels for Quarter Turn
<b>ISO 5210</b>	EN ISO 5210 for Linear

• **Spring Return Only:**

Spring identification
<b>(blank)</b> Double Acting

• **Actuator Type:**

<b>DA</b> Double Acting	<b>SRC</b> Spring Return fail Close
<b>SRO</b> Spring Return fail Open	

• **Cylinder Size:** 0.75, 1.75, 3.1, 4.9, 7, 8, 9, 12, 15, 19, 28, 44, 50, 56, 78, 95, 122, 143, 153, 176, 201, 240, 314, 433, 490, 615, 706, 804, 962, 1134, 1256, 1590, 1847, 2290, 3216, 4300, 5541, 6939, 7853, 9503, or 11309

• **Frame Size:** 0.4, 1, 2, 8, 16, 31, 118 or 250

• **Type of Yoke:**

<b>S</b> Quarter Turn Symmetrical	<b>C</b> Quarter Turn Canted
<b>D</b> Quarter Turn Demi-canted (Semisymmetrical)	<b>L</b> Linear

• **Type of Working Fluid:**

<b>DG</b> Gas Direct	<b>GH</b> Gas Hydraulic	<b>HY</b> Hydraulic	<b>PN</b> Pneumatic
----------------------	-------------------------	---------------------	---------------------