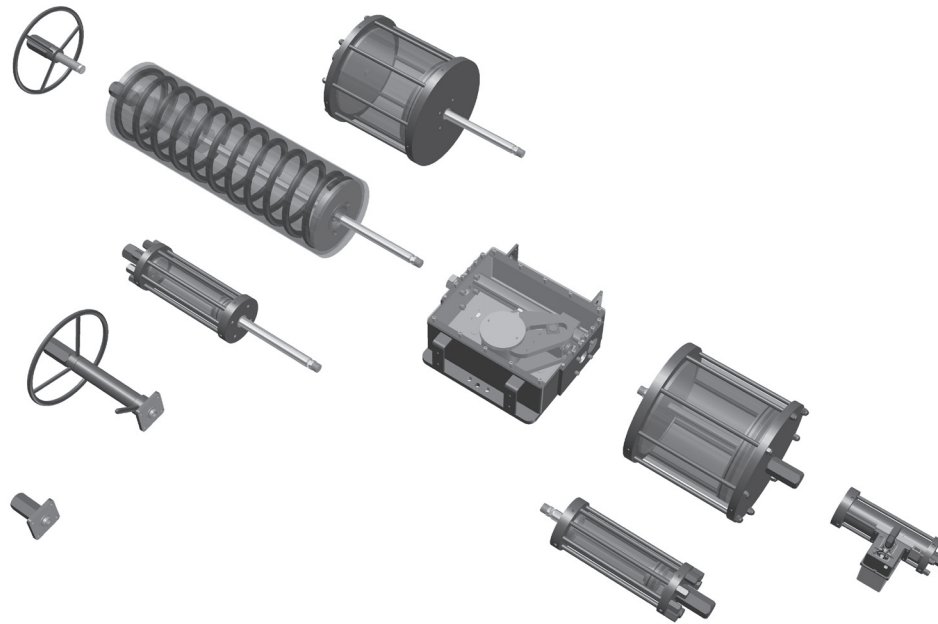


PN & HY-Series Scotch-Yoke Actuator Design & Manufacturing Standards

PN and HY-Series pneumatic and hydraulic scotch-yoke actuators have been designed specifically to guarantee long cycle life in the most demanding applications and environmental conditions.



Standards & Certification	
Basic Pneumatic Design	BS EN 15714-3: 2009 Industrial valves. Actuators. Pneumatic part-turn actuators for industrial valves. Basic requirements
Basic Hydraulic Design	BS EN 15714-4: 2009 Industrial valves. Actuators. Hydraulic part-turn actuators for industrial valves. Basic requirements
Ingress Protection	IP66
Valve Interface	ISO 5211 with addition of two dowel pins
Minimum Operating Temperature	Lloyds certified for operation down to -85°F (-65°C) for double-acting HY-Series actuators
Explosive Atmosphere Protection	ATEX EX II 2 GD 'c' T3
Pressure Equipment Directive (PED)	97/23/EC